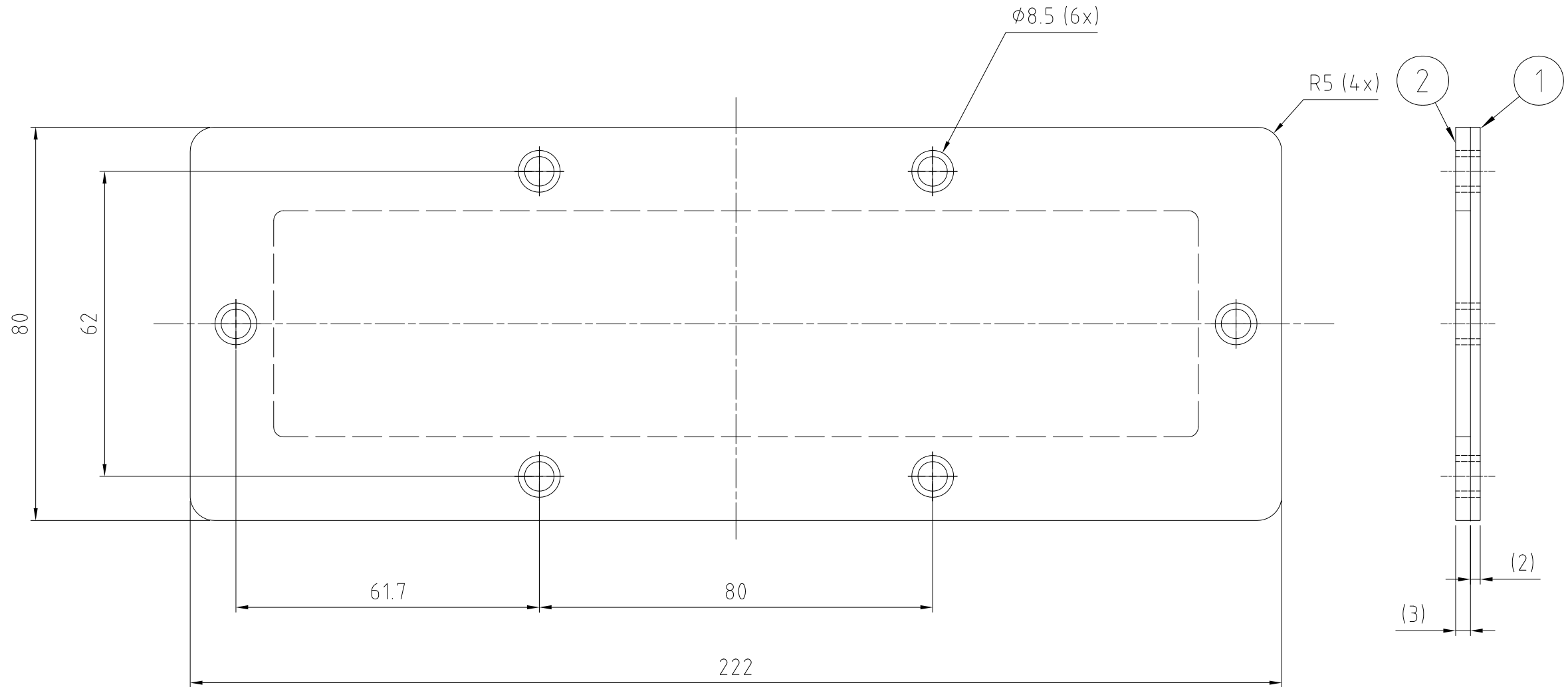


MATERIAL MILD STEEL
RAL 7035 TEXTURED



We reserve all rights in this document and in the information contained therein. Reproduction, use or disclosure to third parties without express authority is strictly forbidden. ©ROXTEC INTERNATIONAL AB

2	1	GASKET	CELLULAR RUBBER T=3	-
1	1	PLATE	T=2	-
Item	Qty	Designation	Specification	Net Weight
ROXTEC INTERNATIONAL AB BOX 540 S-371 23 Karlskrona TEL: +46 455 366700 FAX: +46 455 82012		Designed by se-pertor	Created Date 2001-10-30	General tolerance ISO 2768-1/2-m/K EN ISO 13920-BF
		Approved by se-jorake	Approved Date 2011-06-21	Welded details EN ISO 5817-B EN ISO 10042-B
		Format A3	Scale 1:1	General surface roughness, Ra 12,5 -
		Title COVER PLATE		Projection method
		Restricted due to Information Drawing		Drawing number S1002955
				Rev C

C	BALLOONS ADDED.	2011-06-21	se-andrek
Rev	Type of revision	Date	Sign

