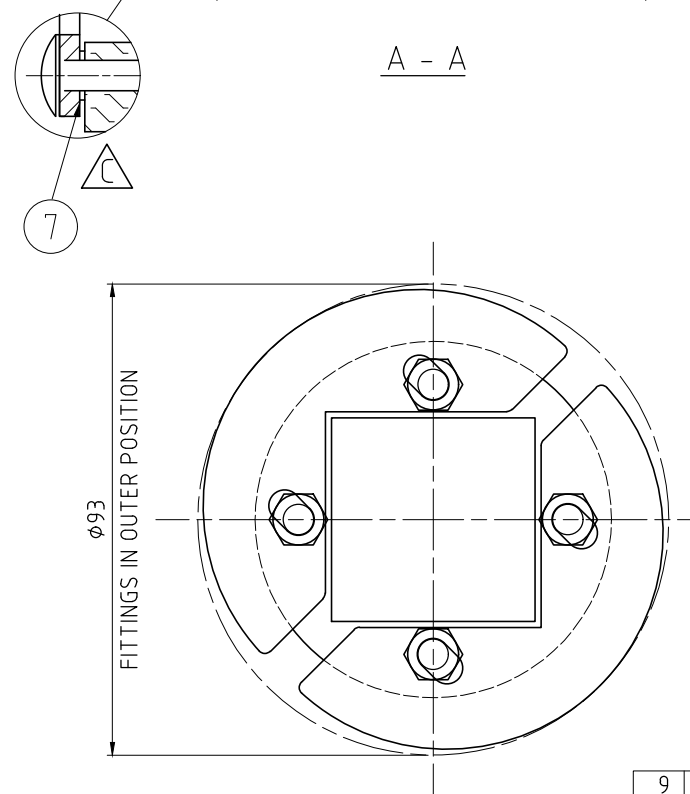
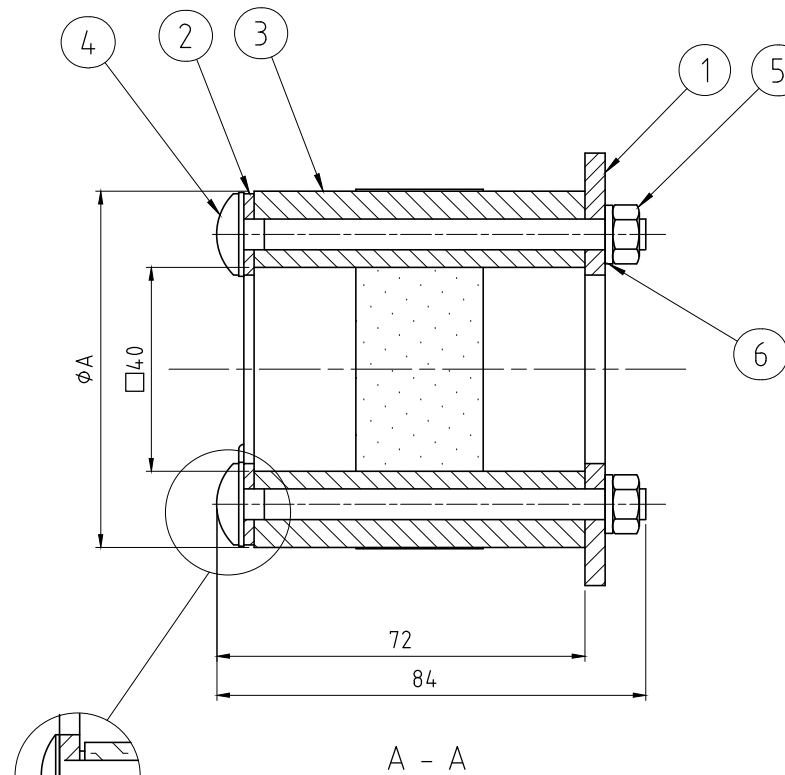
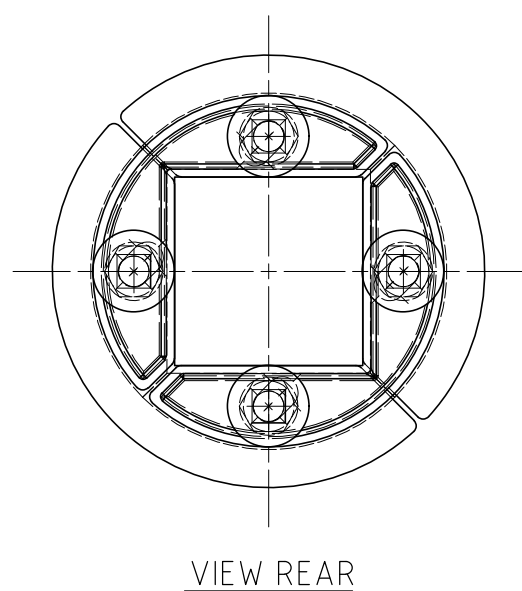
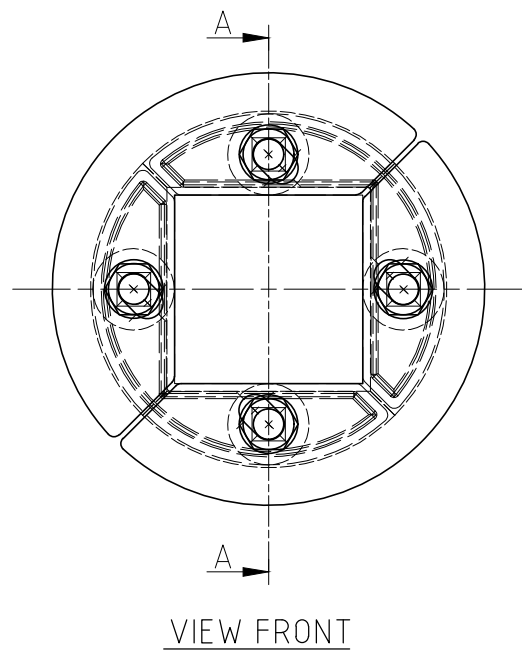


TYPE	A
R70 EMC	70
R 75 EMC	75

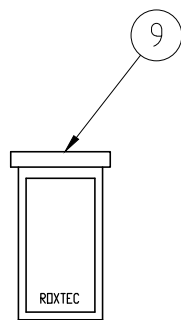
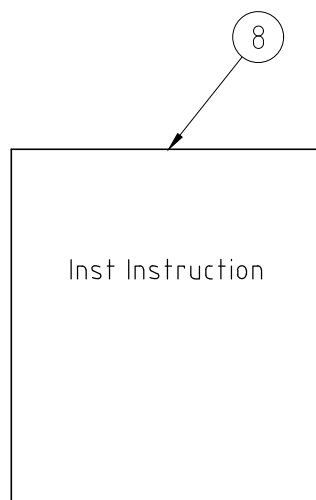
MATERIAL: STAINLESS STEEL



格克赛克保留所有权利。未经授权严禁复制，使用以及向第三方泄漏。


All rights reserved. Unauthorized reproduction, use or disclosure to third parties is strictly forbidden.

Rev 2.0



Item	Qty	Designation	Specification	Net Weight
9	1	LUBRICANT		-
8	1	INSTALLATION INSTRUCTION		-
7	8	GASKET MVBF		-
6	8	WASHER		-
5	8	NUT		-
4	8	OVAL HEAD SCREW		-
3	1	RUBBER FRAME		-
2	4	FRONT FITTING		-
1	4	REAR FITTING		-

Rev	Type of revision	Date	Sign
C	GASKET MOVED	2020-11-16	se-henols

General tolerances used for manufacturing shown in document DDC-002180		Designed by	Created Date	Latest save date	Format	Scale	Sheet no	Net Weight
		se-fomagr	2001-01-19	2020-11-18	A2	1:1		-
 <a href="http://www.roxtec.com">www.roxtec.com</a>		Title		Projection method		Rev		
		R FRAME EMC		First angle		C		
		R 70-75 EMC ASSEMBLY		Information drawing		Drawing number		
				S1001757				

Information drawings show general design and nominal dimensions if not else stated