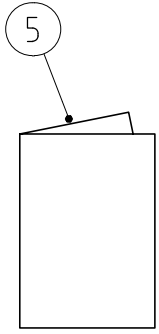
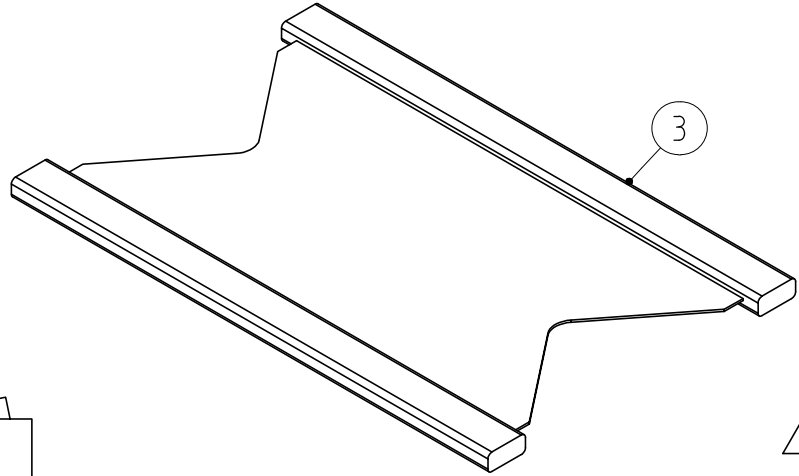
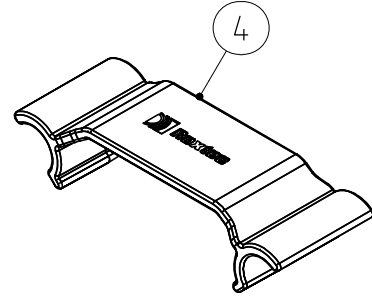
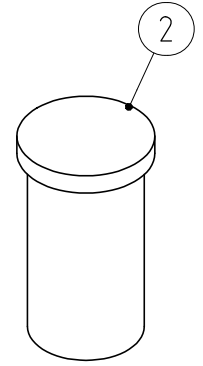
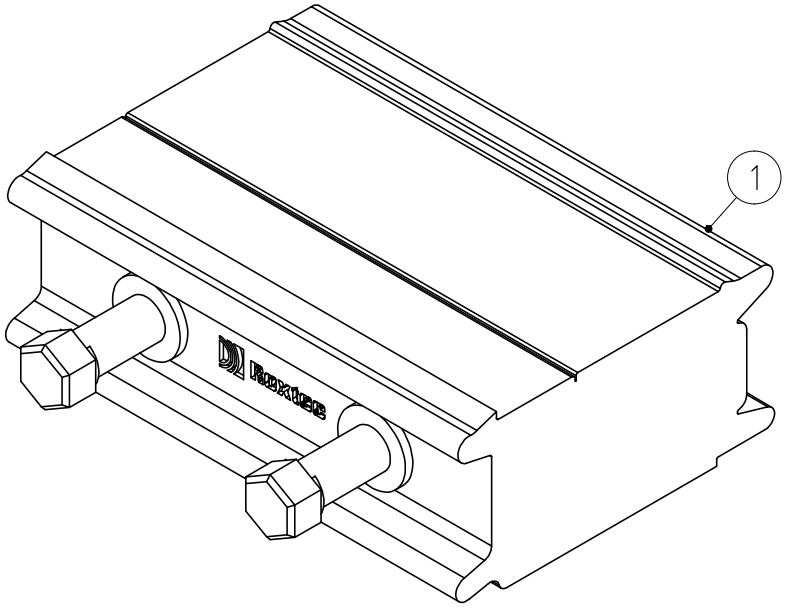


烙克塞克保留所有权利。未经授权严禁复制、使用以及向第三方泄露。

All rights reserved. Unauthorized reproduction, use or disclosure to third parties is strictly forbidden.



NOTE:
ROXTEC WEDGE KIT IS AVAILABLE IN BOTH GALVANIZED AND STAINLESS STEEL



Item	Qty	Designation	Specification	Net Weight
5	1	INST. INSTRUCTION		
4	1	WEDGECLIP	PLASTIC	
3	5	STAYPLATE	GALVANIZED / ACID PROOF ST. STEEL	
2	1	LUBRICANT	TALLOW 25ML	
1	1	WEDGE 120	GALVANIZED / ACID PROOF ST. STEEL	

Item	Qty	Designation	Specification	Net Weight	
General Tolerance ISO 2768-1/2-m/K		Welded details EN ISO 5817-B		General surface roughness, Ra 12.5	
Designed by se-magper		Created Date 2000-02-14		Latest save date 2016-10-20	
Format A3		Scale 1:1		Sheet no	
Title WEDGE 120 WEDGE KIT		Restricted due to		Projection method 	
www.roxtec.com		Information drawing		Drawing number S1000716	
Rev		Date		Sign	
D		2016-10-20		se-jenboh	
Type of revision		Date		Sign	

Rev	Type of revision	Date	Sign
D	ACID PROOF ADDED IN TABLE	2016-10-20	se-jenboh