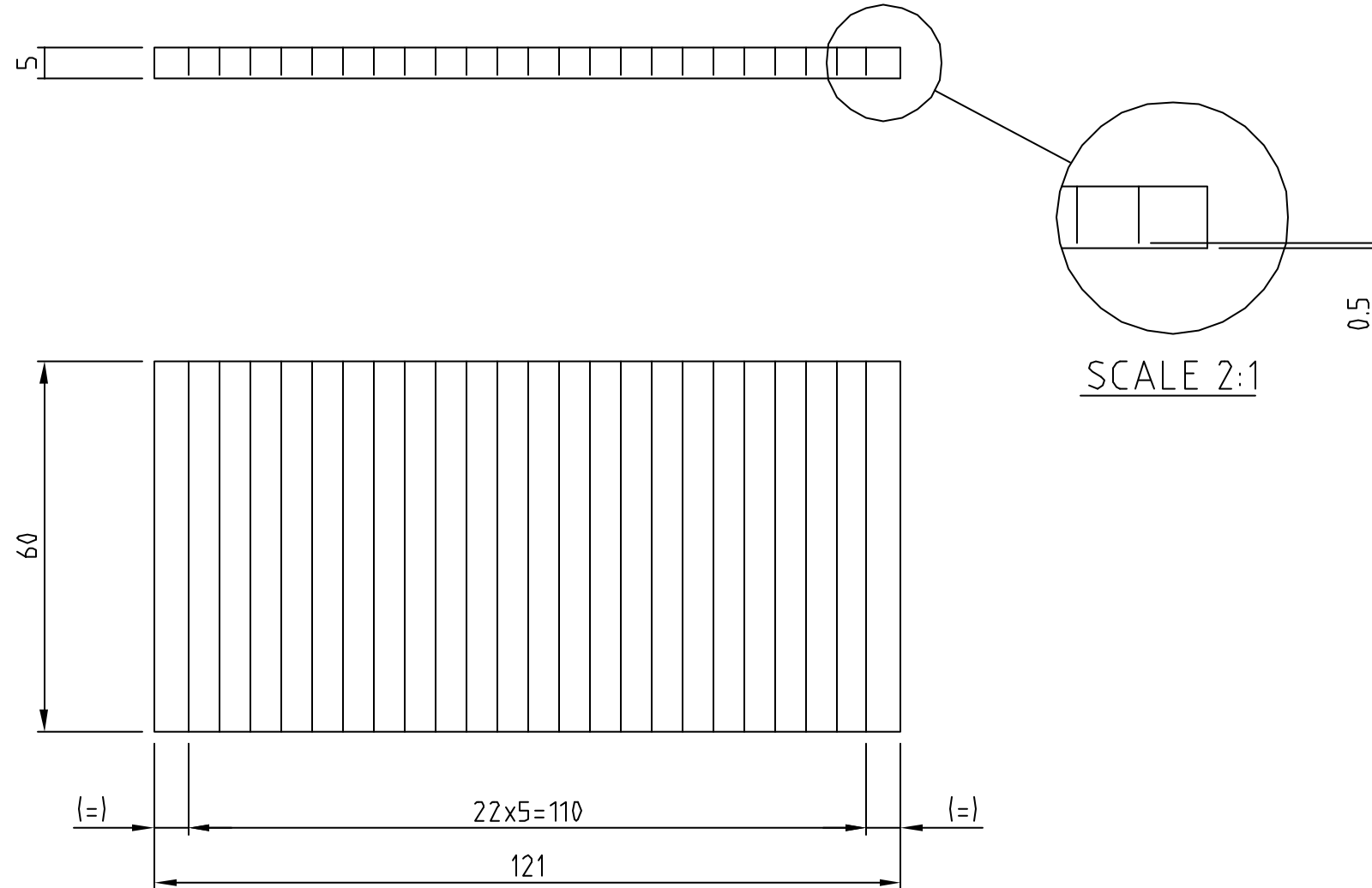


We reserve all rights in this document and in the information contained therein. Reproduction, use or disclosure to third parties without express authority is strictly forbidden. ©ROXTEC INTERNATIONAL AB



A	NEW BORDERS AND TITLEBLOCK.	2004-09-10	JE BOHLIN
Rev	Type of revision	Date	Sign

1	1	RUBBER	5x60x121, ROXYLON	-
Item	Qty	Designation	Specification	NetWeight
ROXTEC INTERNATIONAL AB BOX 541 S-37123 Karlskrona TEL: +46 455 366744 FAX: +46 455 82812		Designed by S MILTON	Date 1999-02-25	General tolerance ISO 2768-1 m
		Checked by C SVENSSON	Format A3	Welded details ISO-EN 25 817 C
		Approved by C SVENSSON	Scale 1:1	General surface roughness, Ra -
		Restricted due to INFORMATION DRAWING	Title RM 5/0x24 RM MODULES	Projection method 1st angle
			Drawing number S1000687	Rev A

