

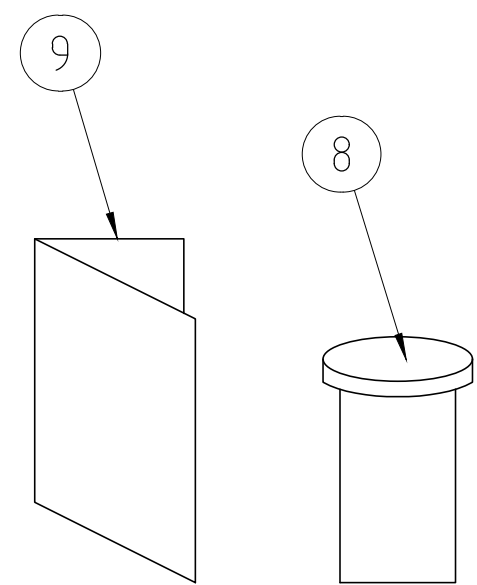
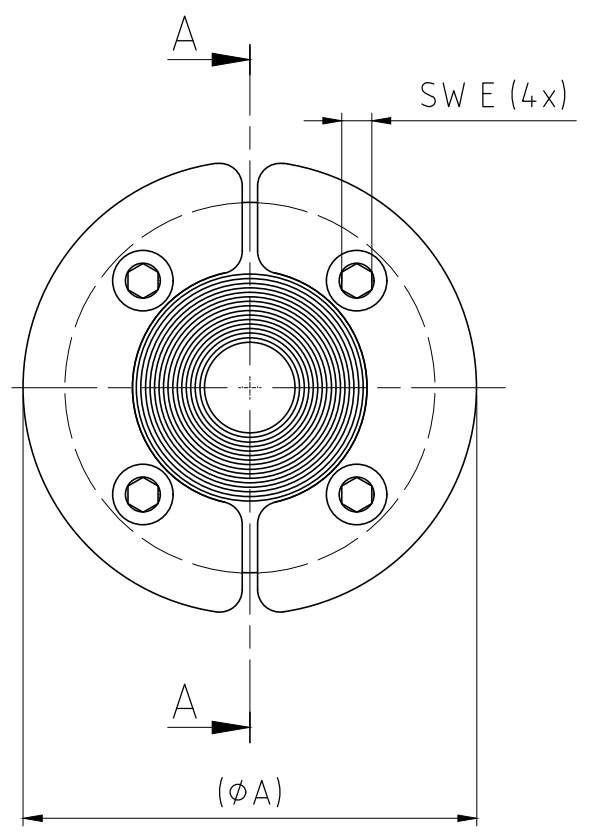
烙克囊克保留所有权利。未经授权严禁复制，使用以及向第三方泄漏。

All rights reserved. Unauthorized reproduction, use or disclosure to third parties is strictly forbidden.

Rev 2.0

RS ES SEALS

SIZE	A	B	D	E	F	RANGE ϕ	L
RS 25 ES	32	15	25	2,5	1	0+3.6-12	41,5
RS 31 ES	37	15	31	2,5	1	0+4-17	41,5
RS 43 ES	53	25	43	4	1	0+4-23	80
RS 50 ES	60	25	50	4	1	0+8-30	80
RS 68 ES	78	25	68	4	1	0+26-48	80

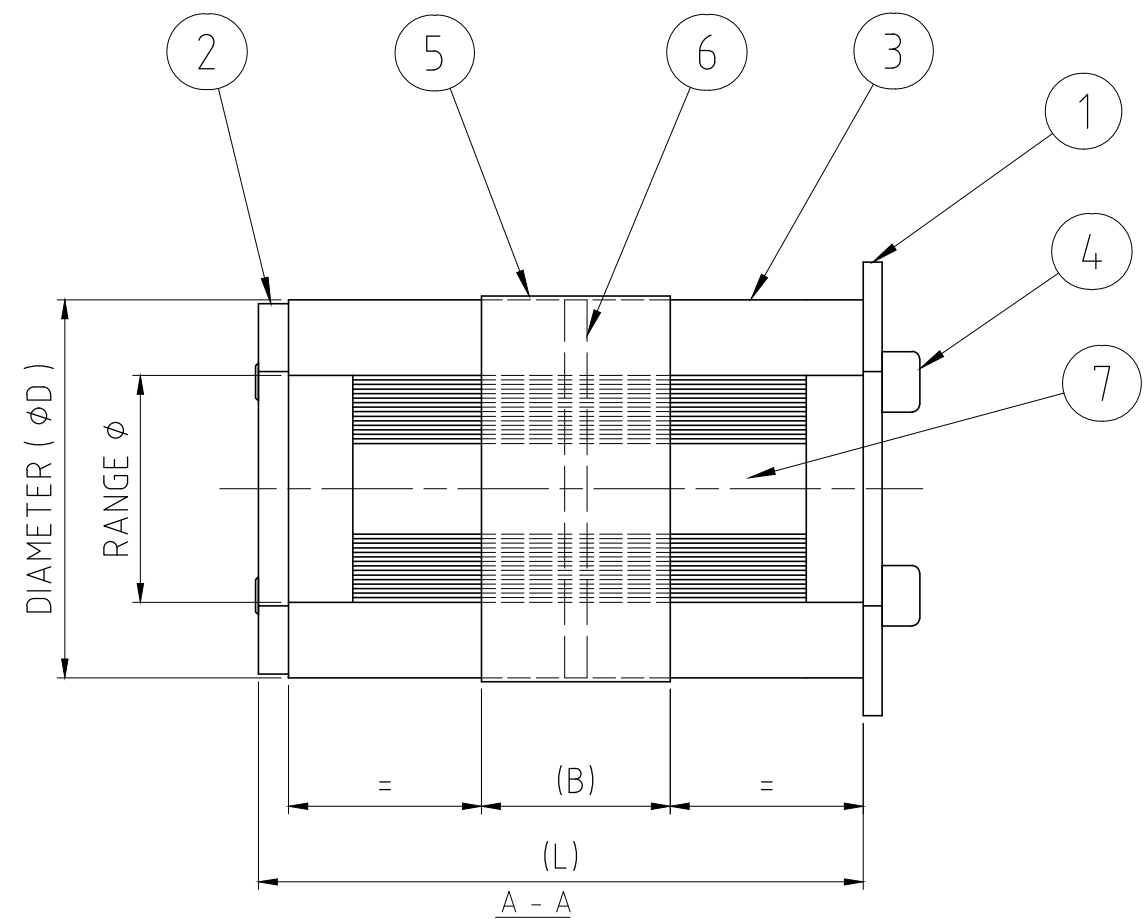


NOTE:
The range of the Roxtec Seal indicates the smallest possible diameter of the dismantled cable screen to the largest possible diameter of the cable mantle.

H	ALLEN KEY TOOL DISCONTINUED.	2021-10-18	se-mikgru
Rev	Type of revision	Date	Sign

RS ES SEALS (WITHOUT CORE)

SIZE	A	B	D	E	F	RANGE ϕ	L
RS 68 ES WOC	78	25	68	4	0	26-48	80



Item	Qty	Designation	Specification	Net Weight
9	1	INSTALLATION INSTRUCTION		
8	1	ROXTEC LUBRICANT	10 ML	
7	F	CORE	ROXYLON	
6	2	CONDUCTIVE RUBBER	EMI SHIELD	
5	2	CONDUCTIVE TAPE	TIN PLATED COPPER	
4	4	SCREW	MC6S A4	
3	2	RUBBER FRAME	ROXYLON	
2	2	REAR FITTING	ACID PROOF STAINLESS STEEL	
1	2	FRONT FITTING	ACID PROOF STAINLESS STEEL	

General tolerances used for manufacturing shown in document DOC-002180		Designed by se-tomagr	Created Date 1999-02-16	Latest save date 2021-10-18	Format A3	Scale 1:1	Sheet no	Total Weight -
 www.roxtec.com		Title RS ES SEALS RS 25-68 ES			Projection method 		Rev H	
		Restricted due to Information drawing			Drawing number S1000676			

Information drawings show general design and nominal dimensions if not else stated