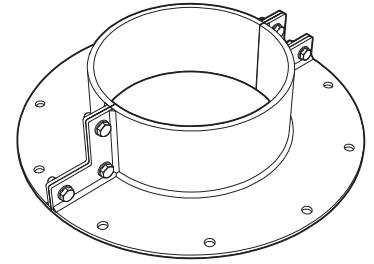
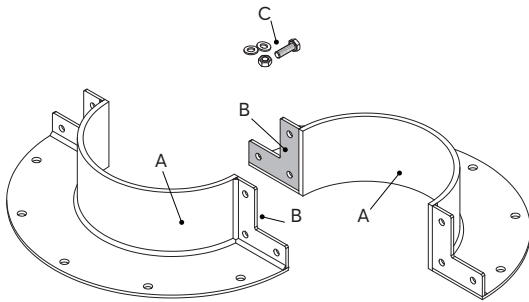


# Installation instructions

## Roxtec SLFO EXT sleeve

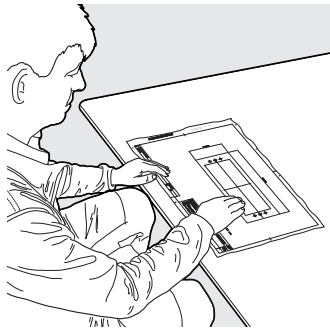


### Components



- A. Sleeve part.
- B. Sleeve gasket.
- C. Fasteners.

### Additional information



Visit [roxtec.com](http://roxtec.com) for additional information such as drawings, aperture, videos, ratings and certificates.

### Tools

- Spanner (not included)

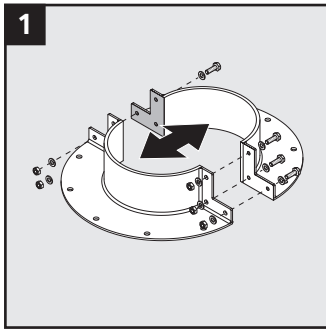
### After installation inspection

- Are gaskets aligned and compressed?
- Are screws evenly tightened?
- Is the aperture clear for routing cables/pipes?

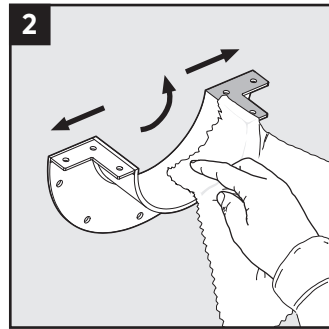
### Note

- Approvals or certificates may include amendments or limitations related to this application.
- The latest version of this and related documents are found at [roxtec.com](http://roxtec.com).

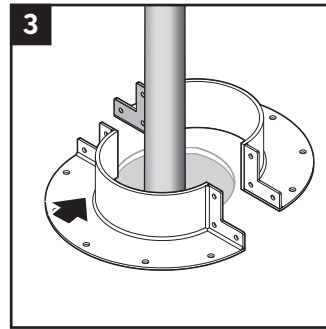
# Installation



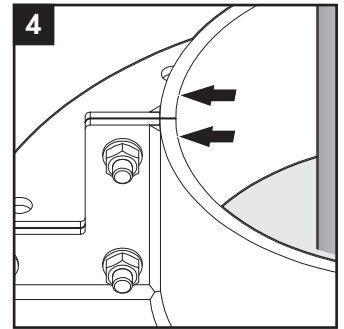
1 Untighten the screws and disassemble the sleeve.



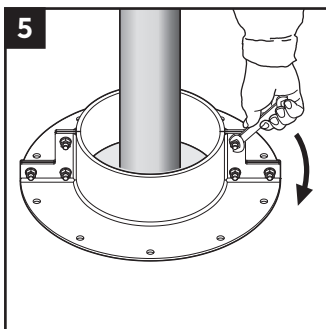
2 Clean the sleeve.



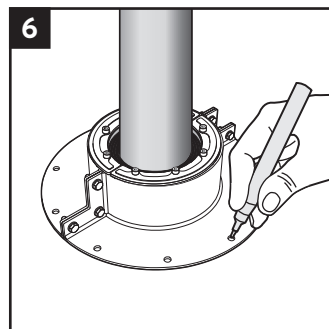
3 Assemble the sleeve around the cable/pipe.



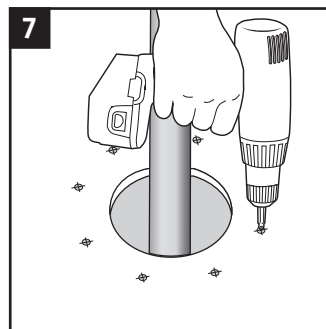
4 Align the sleeve halves.



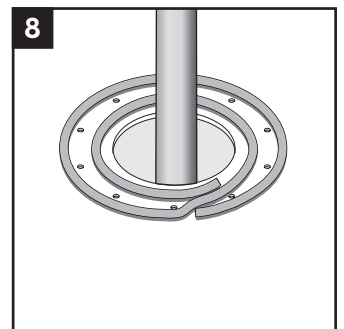
5 Tighten the fasteners firmly.



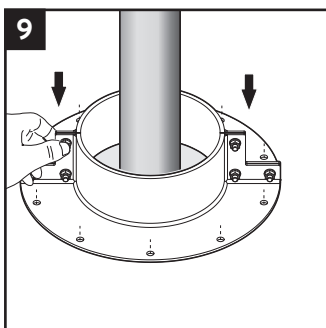
6 The intended seal can be used to center the pipe and/or sleeve in the aperture. Use the flange as a template.



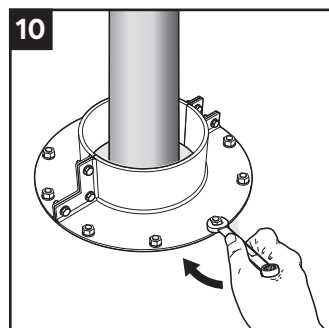
7 Remove the sleeve and the seal. Drill the holes.



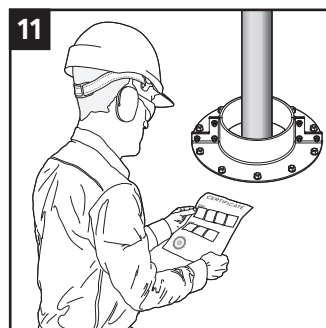
8 Apply a suitable gasket or sealant.



9 Place the sleeve onto the gasket. Align the sleeve to the drilled holes.



10 Tighten the screws crosswise in small steps.



11 Check additional documentation, if applicable.

## Disclaimer

"The Roxtec cable and pipe entry sealing system ('the Roxtec system') is a modular-based system of sealing products consisting of different components. Each and every one of the components is necessary for the best performance of the Roxtec system. The Roxtec system has been certified to resist a number of different hazards. Any such certification, and the ability of the Roxtec system to resist such hazards, is dependent on all components that are installed as a part of the Roxtec system. Thus, the certification is not valid and does not apply unless all components installed as part of the Roxtec system are manufactured by or under license from Roxtec ('authorized manufacturer'). Roxtec gives no performance guarantee with respect to the Roxtec system, unless (I) all components installed as part of the Roxtec system are manufactured by an authorized manufacturer and (II) the purchaser is in compliance with (a), and (b), below.

(a) During storage, the Roxtec system or part thereof, shall be kept indoors in its original packaging at room temperature.

(b) Installation shall be carried out in accordance with Roxtec installation instructions in effect from time to time.

The product information provided by Roxtec does not release the purchaser of the Roxtec system, or part thereof, from the obligation to independently

determine the suitability of the products for the intended process, installation and/or use.

Roxtec gives no guarantee for the Roxtec system or any part thereof and assumes no liability for any loss or damage whatsoever, whether direct, indirect, consequential, loss of profit or otherwise, occurred or caused by the Roxtec systems or installations containing components not manufactured by an authorized manufacturer and/or occurred or caused by the use of the Roxtec system in a manner or for an application other than for which the Roxtec system was designed or intended.

Roxtec expressly excludes any implied warranties of merchantability and fitness for a particular purpose and all other express or implied representations and warranties provided by statute or common law. User determines suitability of the Roxtec system for intended use and assumes all risk and liability in connection therewith. In no event shall Roxtec be liable for indirect, consequential, punitive, special, exemplary or incidental damages or losses. The Roxtec products are offered and sold in accordance with the conditions of the Roxtec General Terms of Sales. The latest version of the Roxtec General Terms of Sales can be found and downloaded from [roxtec.com/general-terms-of-sales](http://roxtec.com/general-terms-of-sales).



Roxtec International AB  
Box 540, 371 23 Karlskrona, SWEDEN  
+46 455 36 67 00, [info@roxtec.com](mailto:info@roxtec.com)  
[www.roxtec.com](http://www.roxtec.com)