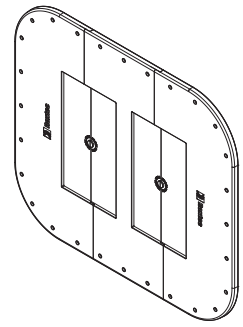
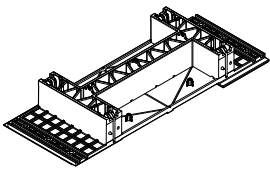


# Roxtec FlamePlus frame

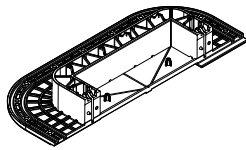
## Installation instructions



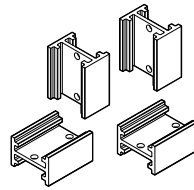
### Components



Mid-section

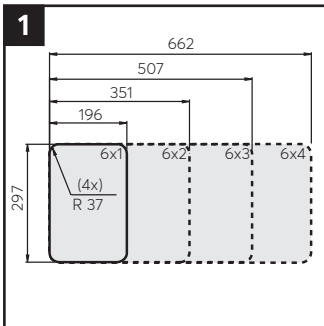


Side-sections

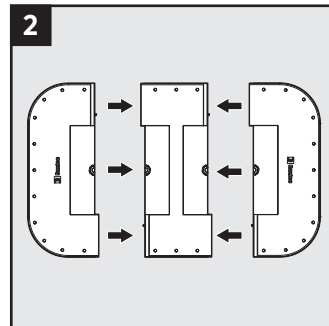


Clips

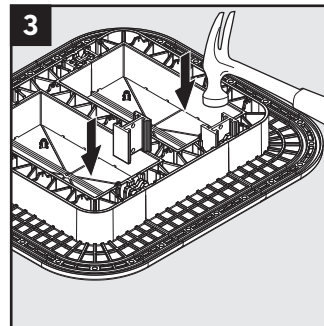
### Installation



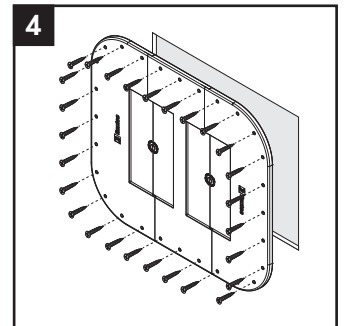
1 Make or verify an aperture.



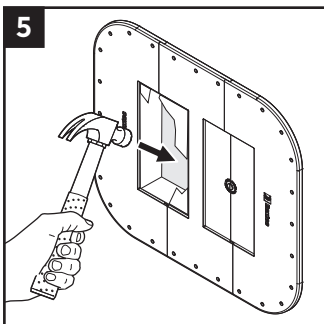
2 Assemble frame parts.



3 Fasten the clips.



4 Fasten the frame.



5 Remove lid before routing cables.