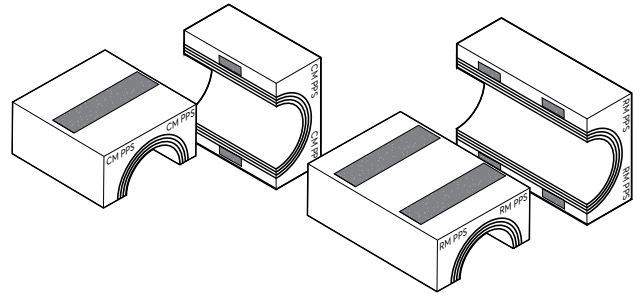


# Installation instructions

## Roxtec RM PPS

## Roxtec CM PPS



### General

Roxtec RM PPS and CM PPS sealing modules are installed in Roxtec frames in plastic conduit applications. Install the PPS modules around PMA plastic conduits by peeling layers according to the table. Complete the installation by packing the spare capacity with standard RM or CM modules.

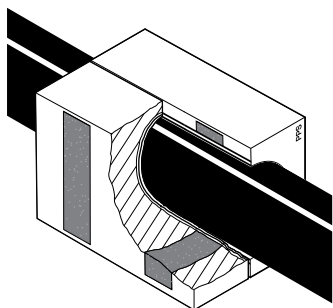
### To be used in combination with

- Roxtec RM and CM modules with Multidiameter™ and solid modules
- Roxtec regular and compact frames
- Roxtec wedge or corresponding compression unit for compact systems
- PMA cable protection conduits of type XPCS and PCS

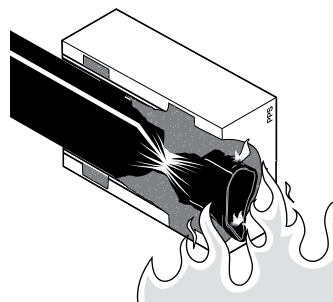
### Limitations

- Do not install cables or metal pipes in PPS modules
- PPS modules cannot be used as spares

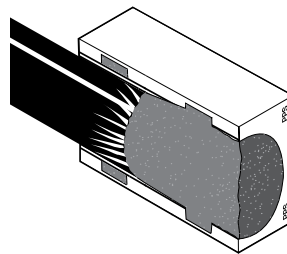
### How it works



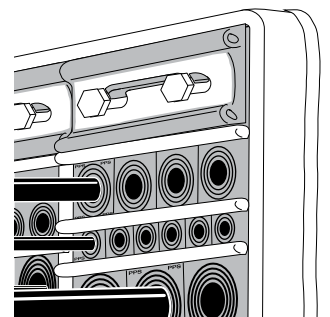
The PPS module provides ingress protection and has an integrated firestop material.



The fire stop material expands when exposed to heat and seals the conduit.



Fire and smoke are effectively prevented from spreading through the sealing module once the conduit has melted.



Spare locations are filled with regular modules with core or solid modules.

## Module preparation

Adapt the Roxtec PPS modules to fit standard PMA conduits by peeling layers from each module half according to the table. Non PPS modules are installed according to the supplied installation instructions.

\*Special conditions apply. Consult your Roxtec representative for guidance.

All measures in millimeters (mm).

	RM 20 PPS CM 20 PPS	RM 30 PPS CM 30 PPS	RM 40 PPS CM 40 PPS	RM 60 PPS CM 60 PPS*	RM 80 PPS
NW 07 (Ø10)	5	-	-	-	-
NW 10 (Ø12.8)	7	3	-	-	-
NW 12 (Ø15.6)	-	5	-	-	-
NW 17 (Ø21.1)	-	9	-	-	-
NW 23 (Ø28.4)	-	-	6	-	-
NW 29 (Ø34.5)	-	-	-	3	-
NW 36 (Ø42.4)	-	-	-	7	-
NW 48 (Ø54.5)	-	-	-	-	3

## Technical rating

RM PPS modules: E60, E30, EI30, EI15.

CM PPS modules: E30, EI15.

The structure must be insulated according to EN 45545. Exposed fire side can affect the technical rating. Conduits must conform to EN 45545.

## Disclaimer

\*The Roxtec cable entry sealing system ("the Roxtec system") is a modular-based system of sealing products consisting of different components. Each and every one of the components is necessary for the best performance of the Roxtec system. The Roxtec system has been certified to resist a number of different hazards. Any such certification, and the ability of the Roxtec system to resist such hazards, is dependent on all components that are installed as a part of the Roxtec system. Thus, the certification is not valid and does not apply unless all components installed as part of the Roxtec system are manufactured by or under license from Roxtec ("authorized manufacturer"). Roxtec gives no performance guarantee with respect to the Roxtec system, unless (I) all components installed as part of the Roxtec system are manufactured by an authorized manufacturer and (II) the purchaser is in compliance with (a), and (b), below.

(a) During storage, the Roxtec system or part thereof, shall be kept indoors in its original packaging at room temperature.

(b) Installation shall be carried out in accordance with Roxtec installation instructions in effect from time to time.

The product information provided by Roxtec does not release the purchaser of the Roxtec system, or part thereof, from the obligation to independently determine the suitability of the products for the intended process, installation and/or use.

Roxtec gives no guarantee for the Roxtec system or any part thereof and assumes no liability for any loss or damage whatsoever, whether direct, indirect, consequential, loss of profit or otherwise, occurred or caused by the Roxtec systems or installations containing components not manufactured by an authorized manufacturer and/or occurred or caused by the use of the Roxtec system in a manner or for an application other than for which the Roxtec system was designed or intended.

Roxtec expressly excludes any implied warranties of merchantability and fitness for a particular purpose and all other express or implied representations and warranties provided by statute or common law. User determines suitability of the Roxtec system for intended use and assumes all risk and liability in connection therewith. In no event shall Roxtec be liable for indirect, consequential, punitive, special, exemplary or incidental damages or losses.\*



Roxtec International AB  
Box 540, 371 23 Karlskrona, SWEDEN  
+46 455 36 67 00, info@roxtec.com  
www.roxtec.com