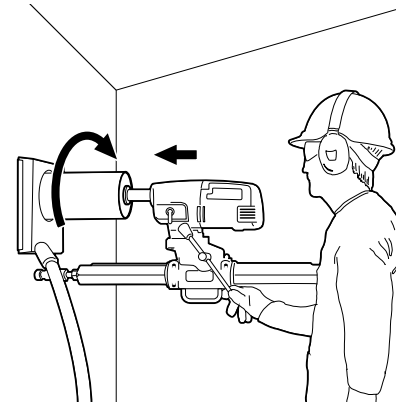


## Aperture dimensions Roxtec SL sleeve series tables

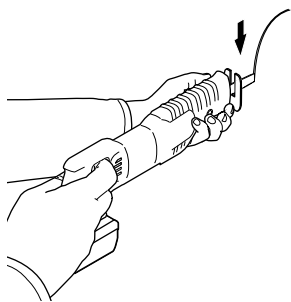


### General

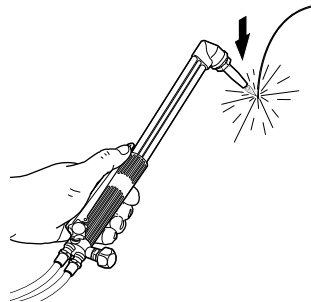
The table states the nominal dimensions for the sleeves. Production tolerances in combination with large sleeve sizes can offset the actual dimension. When a tight fit is required it is recommended to measure the sleeve first and then cut the aperture. Select appropriate fasteners suitable for the structure and load of the sleeve.

### Tools

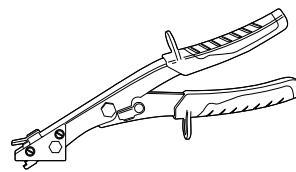
Various examples of tools. Use an appropriate tool to make an aperture.



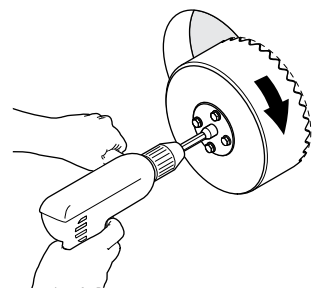
Tiger saw



Cutting torch



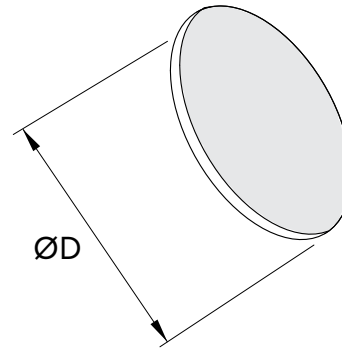
Nibbler



Hole saw

## Aperture dimensions for SL sleeves

	ØD
SLRS 25	34 - 36
SLRS 31	40 - 42
SLRS 43	52 - 54
SLRS 50	63 - 65
SLRS 68	83 - 85
SLRS 75	89 - 91
SLRS 100	114 - 116
SLRS 125	140 - 142
SLRS 150	164 - 166
SLRS 175	189 - 191
SLRS 200	214 - 216
SLRS 225	239 - 241
SLRS 250	264 - 266
SLRS 300	314 - 316
SLRS 350	364 - 366
SLRS 400	414 - 416
SLRS 450	464 - 466
SLRS 500	514 - 516
SLRS 550	564 - 566
SLRS 600	614 - 616
SLRS 644	658 - 660

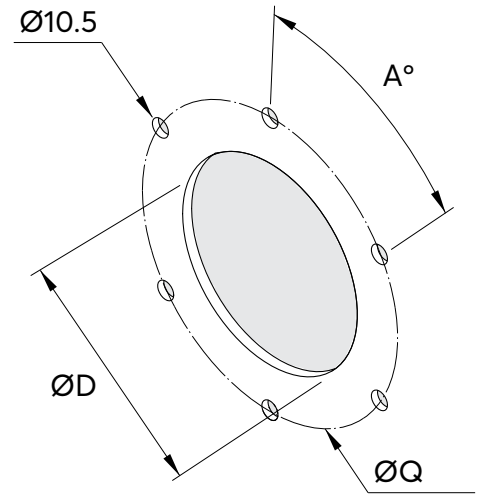


	ØD
SLR 50	63 - 65
SLR 70	83 - 85
SLR 75	89 - 91
SLR 100	114 - 116
SLR 125	140 - 142
SLR 127	140 - 142
SLR 150	164 - 166
SLR 200	214 - 216

ØD: Aperture diameter  
Measurements in millimeters (mm)

## Aperture dimensions for SLF sleeves

	ØD	ØQ	A°	N
SLFRS 25	38 - 44	72	90	4
SLFRS 31	44 - 50	72	90	4
SLFRS 43	56 - 62	80	90	4
SLFRS 50	67 - 73	110	90	4
SLFRS 68	87 - 93	125	90	4
SLFRS 75	93 - 99	135	90	4
SLFRS 100	118 - 128	165	60	6
SLFRS 125	144 - 154	183	60	6
SLFRS 150	168 - 178	206	60	6
SLFRS 175	193 - 203	225	60	6
SLFRS 200	218 - 228	260	45	8
SLFRS 225	243 - 253	290	45	8
SLFRS 250	268 - 278	315	30	12
SLFRS 300	318 - 328	365	30	12
SLFRS 350	368 - 378	415	30	12
SLFRS 400	418 - 428	465	20	18
SLFRS 450	468 - 478	514	20	18
SLFRS 500	518 - 528	565	20	18
SLFRS 550	568 - 578	615	20	18
SLFRS 600	618 - 628	665	15	24
SLFRS 644	662 - 672	709	15	24



	ØD	ØQ	A°	N
SLFR 50	67 - 73	110	90	4
SLFR 70	87 - 93	130	90	4
SLFR 75	93 - 99	135	90	4
SLFR 100	118 - 128	165	60	6
SLFR 125	144 - 154	183	60	6
SLFR 150	168 - 178	206	60	6
SLFR 200	218 - 228	260	45	8

ØD: Aperture diameter  
 ØQ: Pitch diameter  
 A°: Division between holes  
 N: Number of holes  
 Measurements in millimeters (mm)

## Disclaimer

"The Roxtec cable entry sealing system ("the Roxtec system") is a modular-based system of sealing products consisting of different components. Each and every one of the components is necessary for the best performance of the Roxtec system. The Roxtec system has been certified to resist a number of different hazards. Any such certification, and the ability of the Roxtec system to resist such hazards, is dependent on all components that are installed as a part of the Roxtec system. Thus, the certification is not valid and does not apply unless all components installed as part of the Roxtec system are manufactured by or under license from Roxtec ("authorized manufacturer"). Roxtec gives no performance guarantee with respect to the Roxtec system, unless (I) all components installed as part of the Roxtec system are manufactured by an authorized manufacturer and (II) the purchaser is in compliance with (a), and (b), below.

(a) During storage, the Roxtec system or part thereof, shall be kept indoors in its original packaging at room temperature.

(b) Installation shall be carried out in accordance with Roxtec installation instructions in effect from time to time.

The product information provided by Roxtec does not release the purchaser of the Roxtec system, or part thereof, from the obligation to independently determine the suitability of the products for the intended process, installation and/or use.

Roxtec gives no guarantee for the Roxtec system or any part thereof and assumes no liability for any loss or damage whatsoever, whether direct, indirect, consequential, loss of profit or otherwise, occurred or caused by the Roxtec systems or installations containing components not manufactured by an authorized manufacturer and/or occurred or caused by the use of the Roxtec system in a manner or for an application other than for which the Roxtec system was designed or intended.

Roxtec expressly excludes any implied warranties of merchantability and fitness for a particular purpose and all other express or implied representations and warranties provided by statute or common law. User determines suitability of the Roxtec system for intended use and assumes all risk and liability in connection therewith. In no event shall Roxtec be liable for indirect, consequential, punitive, special, exemplary or incidental damages or losses.\*



Roxtec International AB  
Box 540, 371 23 Karlskrona, SWEDEN  
+46 455 36 67 00, info@roxtec.com  
www.roxtec.com