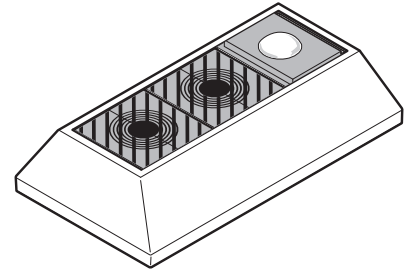


Installation instructions

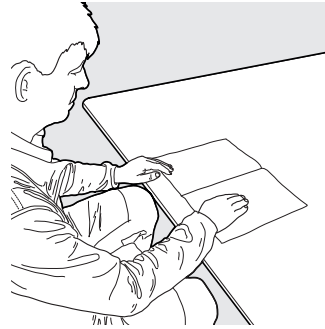
Roxtec CF 8 PE and Roxtec CF 32 PE transits



Safety information

Roxtec recommends that all installations are performed without facility operation. Follow national regulations and installation codes. Any action affecting the routed service should be performed according to manufacturer recommendations.

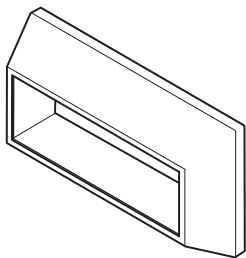
Additional information



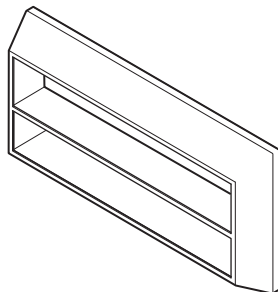
Additional information is available, such as drawings, apertures, videos, ratings and certificates.

Visit roxtec.com for additional information.

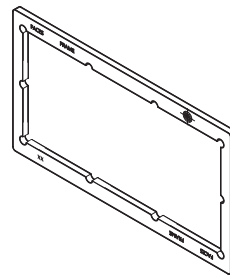
Components



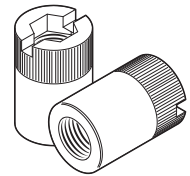
Roxtec CF 8 PE frame



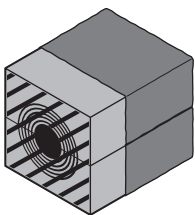
Roxtec CF 32 PE frame



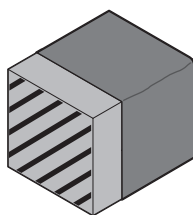
Roxtec CF counter frame



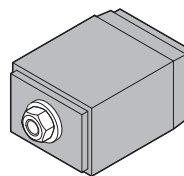
Roxtec CF nuts



Roxtec CM PE module



Roxtec CM PE solid module



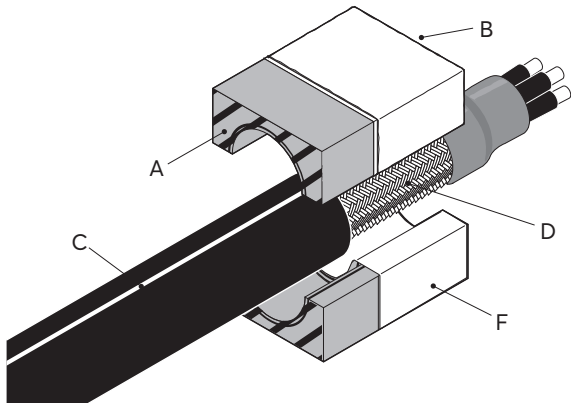
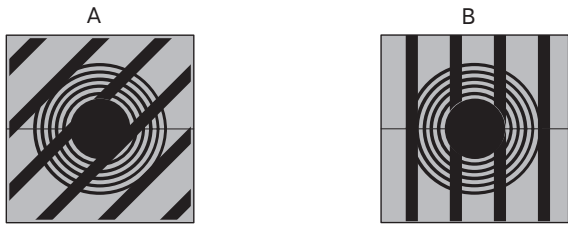
Roxtec CM PE compression unit



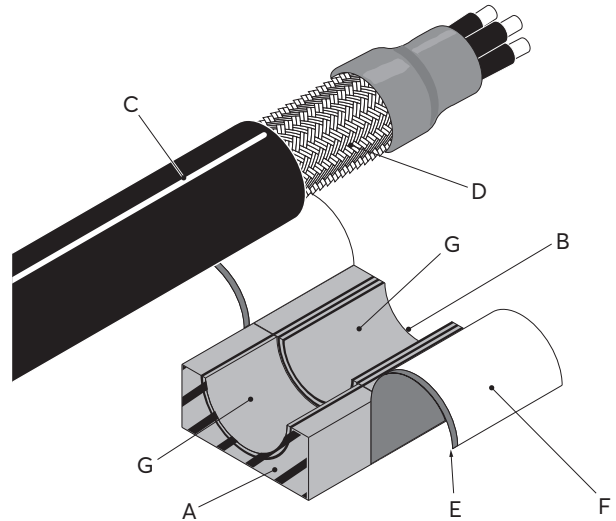
Roxtec Lubricant

Cable placement in module

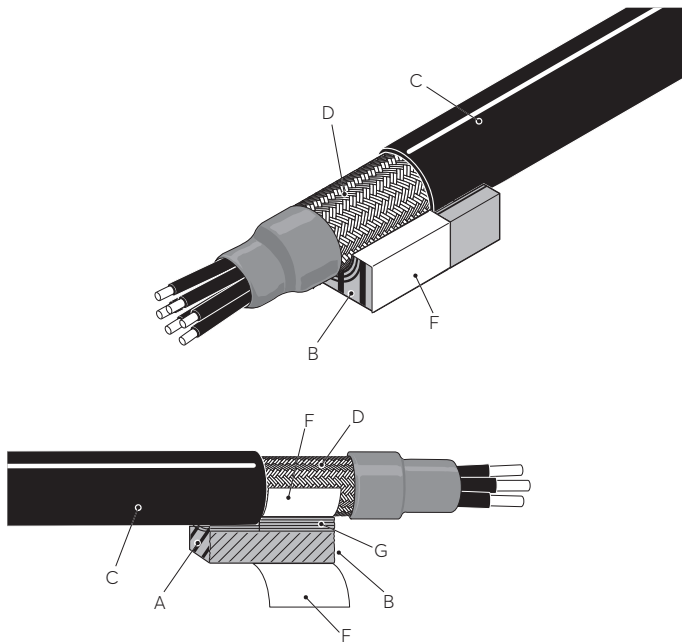
- A: Environmental side
- B: Termination/interior side
- C: Cable jacket
- D: Cable shield
- E: Plastic film
- F: Conductive tape
- G: Removable layers



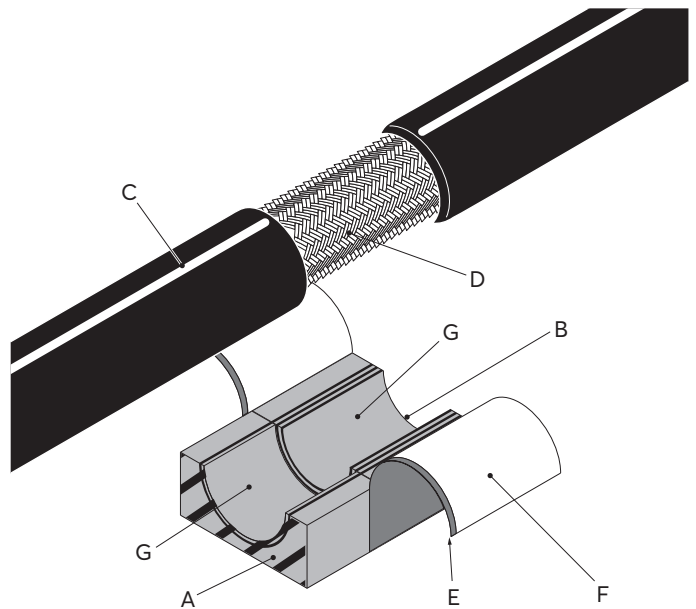
The tape is folded in.



The tape is folded out.



Cable placement in the module half. The cable jacket edge shall be in contact with the edge of the removable layers.



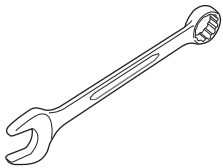
Cable with pass-through shield.

Technical data

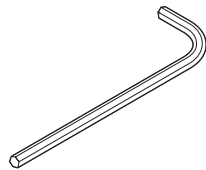
The range of the modules indicates the smallest diameter of the exposed cable shield to the largest diameter of the cable jacket. Modules with core can be used as spare parts.

Name	External dimensions WxHxD (mm)	For cable/pipe Ø (mm)
CM 15w40 PE	40 x 15 x 40	3.5 – 10.5
CM 20 PE	20 x 20 x 40	4 – 14.5
CM 20w40 PE	40 x 20 x 40	3.5 – 16.5
CM 30w40 PE	40 x 30 x 40	10 – 25
CM 40 10–32 PE	40 x 40 x 40	9.5 – 32.5
CM 40 PE	40 x 40 x 40	21.5 – 34.5
CM 5w40/0 PE	40 x 5 x 40	0
CM 10w40/0 PE	40 x 10 x 40	0
CM 20/0 PE	20 x 20 x 40	0
CM 40/0 PE	40 x 40 x 40	0

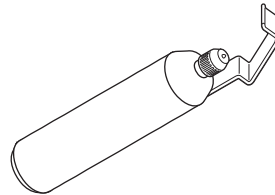
Tools



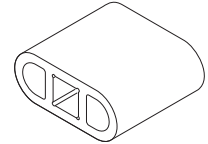
Spanner 13 mm
(not included)



Allen key 5 mm
(not included)

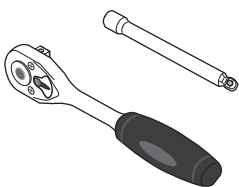


Cable stripper tool.
Recommended by the cable
manufacturer
(not included)

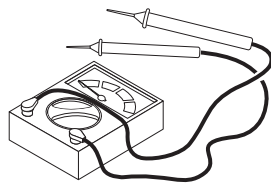


Roxtec pre-compression eccentric
tool
(not included)

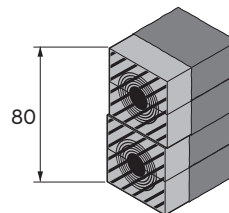
Packing height



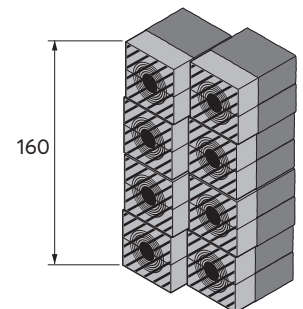
Wrench
(not included)



Continuity tester
(not included)

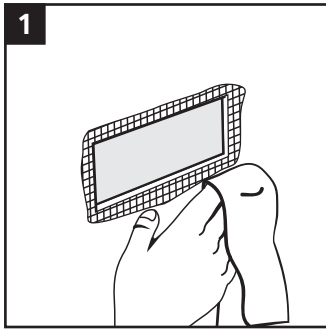


For CF 8 PE, the combined height
of modules shall be 80 mm.

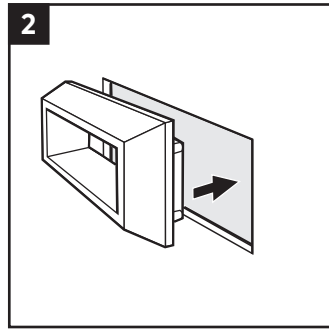


For CF 32 PE, the combined
height of modules shall be 160
mm.

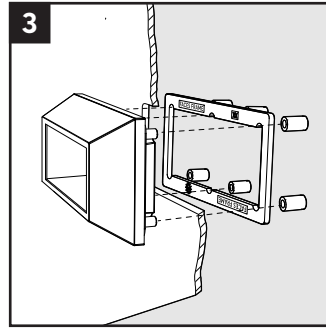
Installation



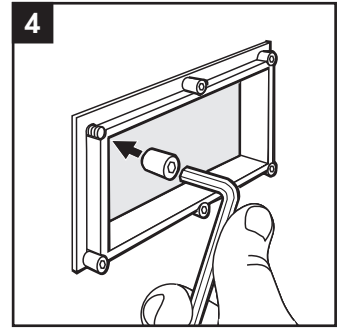
1
Clean the area in order to achieve good electrical conductivity between the counter frame and the termination/interior side of the aperture.



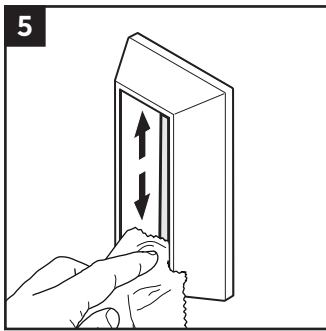
2
Insert the frame from the environmental side of the aperture.



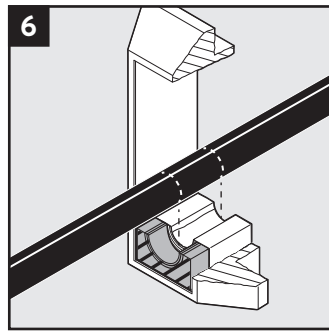
3
Insert the counter frame from the termination/interior side of the aperture. The text on the counter-frame shall face the frame.



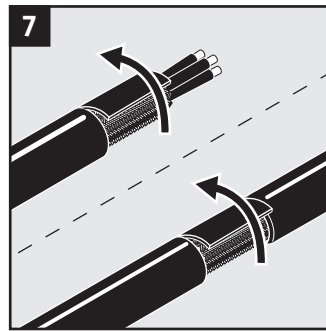
4
Use an Allen key to fasten the frame by tightening the nuts crosswise in small steps to 3 Nm. Start with the short sides.



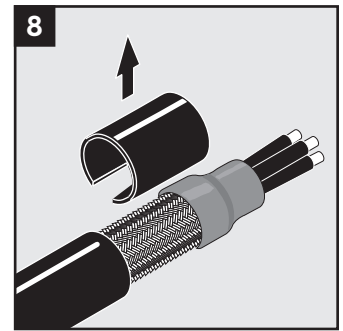
5
Clean the sealing surfaces of the frame to ensure good electrical conductivity.



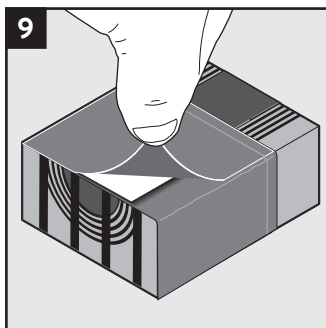
6
Mark where the outer jacket is to be removed to fit the module tape.



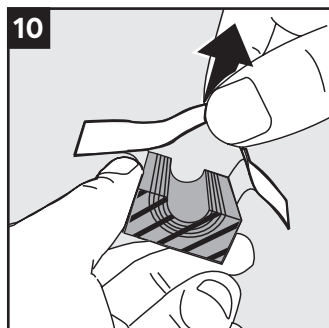
7
Remove the outer jacket and any plastic foil. The cable shield shall be clean and conductive.



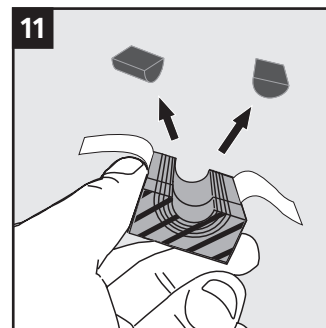
8
Secure the end of the cable shield. Suggestions for cable preparations are available on www.roxtec.com.



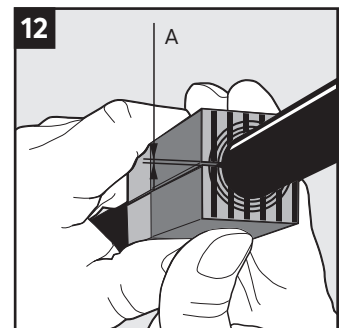
9
Lift the conductive tape and plastic film. Also see section for modules with multiple openings.



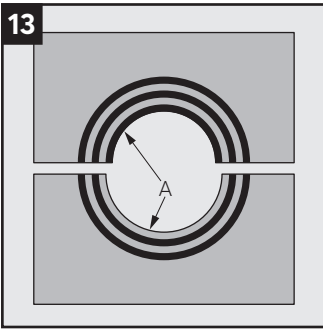
10
Remove the protection paper from all modules and fold out the conductive tape.



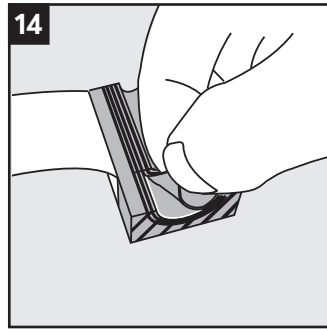
11
Remove the cores on all modules except spares.



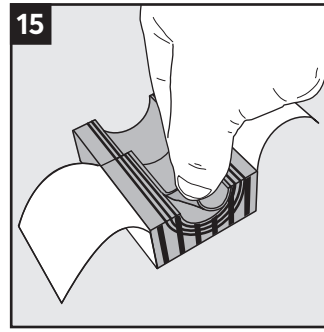
12
Achieve a gap of 0.1-1.0 mm (A) between the module halves by peeling off layers. The cable shield shall be in contact with the conductive tape.



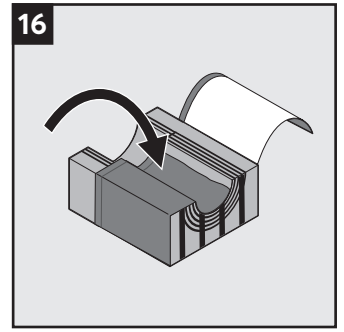
The number of layers may not differ (A) by more than one between the corresponding module halves.



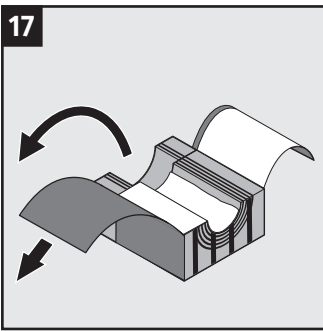
Adapt the layers that are in contact with the cable jacket.



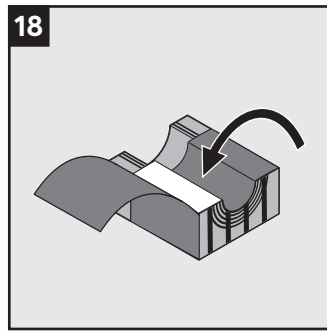
Adapt the layers that are in contact with the cable shield.



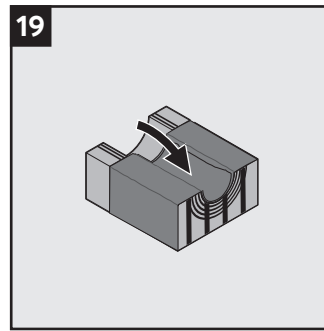
Fold the conductive tape tightly inside the module half from one side.



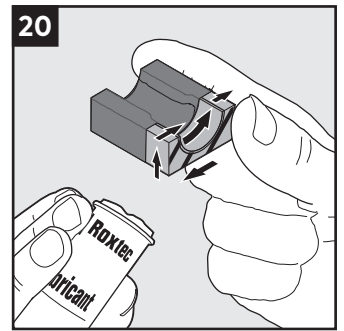
Separate the plastic film from the conductive tape and fold it to the side.



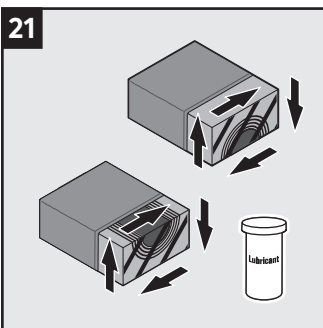
Fold the conductive tape on the other side tightly inside the module half.



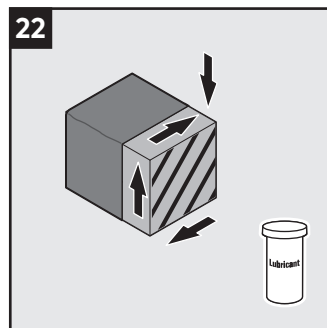
Fold the plastic film back inside the module half.



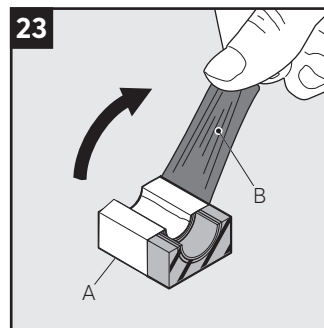
Lubricate the sealing surfaces of all modules. Do not lubricate the plastic film.



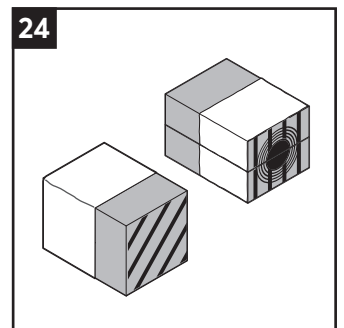
Lubricate the sealing surfaces of the spare modules. Do not remove the core.



Lubricate the sealing surfaces of the solid modules.



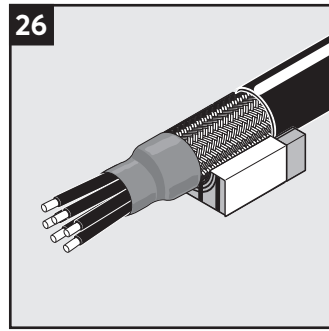
Remove the plastic film (B) on all modules. Keep the conductive tape (A) clean.



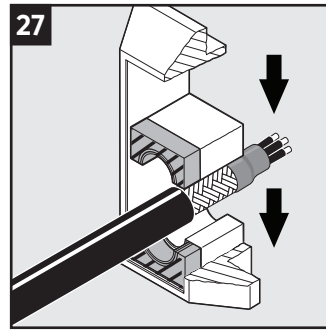
Plastic must be removed also on solid and spare modules.



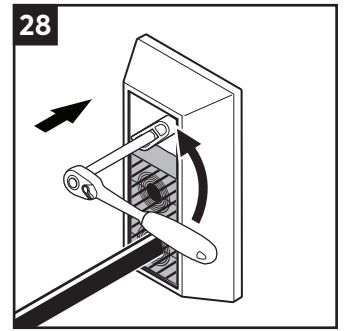
Lubricate the inside surfaces of the frame and especially its corners. Lubricate the area that will be in contact with the tape sparsely.



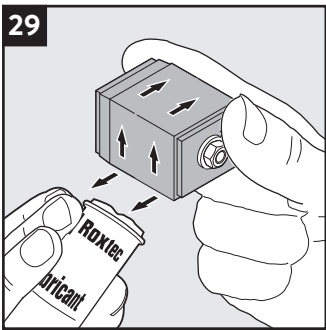
When placing cables in modules, the cable shield shall be visible outside the module at the termination side.



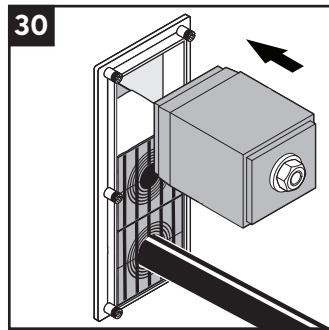
Place cables, according to your packing plan, in the module halves. Place corresponding module halves on top.



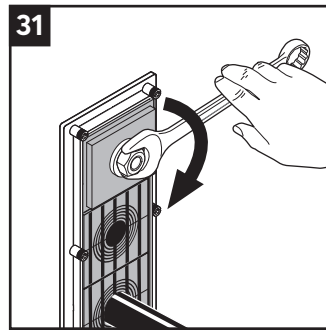
Use a Roxel pre-compression tool to make space for the compression unit if required.



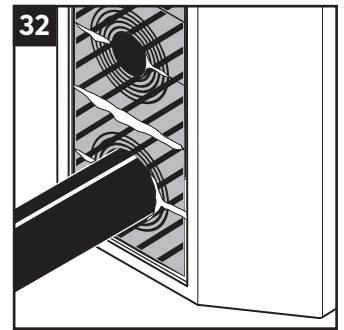
Lubricate the compression unit.



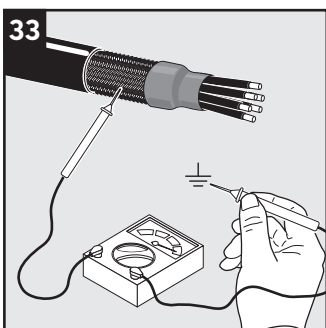
Insert the compression unit until stop.



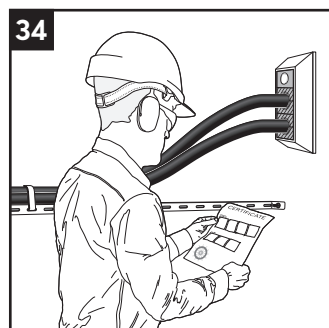
Tighten the nut of the compression unit. Recommended torque 8-12 Nm.



Excess lubricant is a sign of good compression.



Optional: Verify earth continuity from each cable shield to earth. Use a suitable instrument.

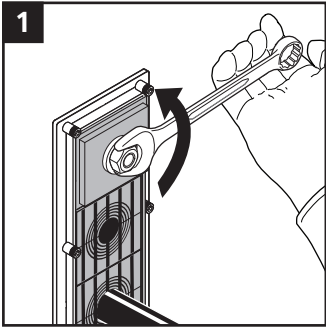


Check additional documentation, if applicable.

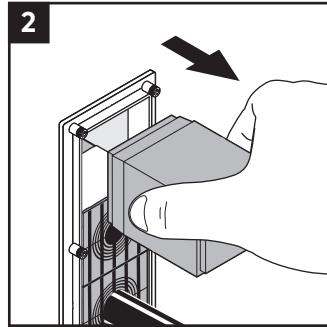
After installation inspection

- Are the compression screws fully tightened?
- Is the combined height of modules correct according to the frame packing height?
- Are all modules placed correctly and fully inserted after compression?
- Is there visible protruding lubricant?

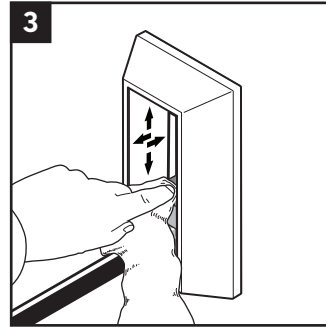
Disassembly and reinstallation



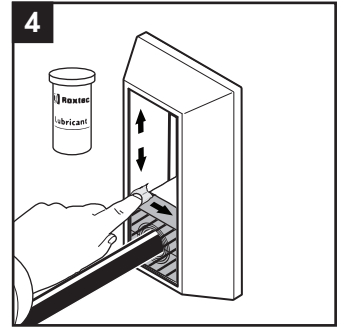
1 Untighten the nut.



2 Remove the compression unit and the modules required.

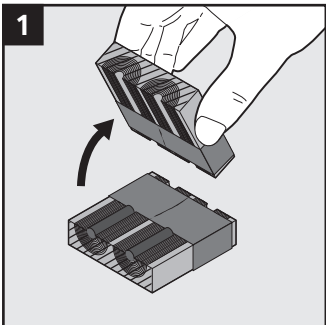


3 The inside surfaces of the exposed packing space shall be clean and conductive.

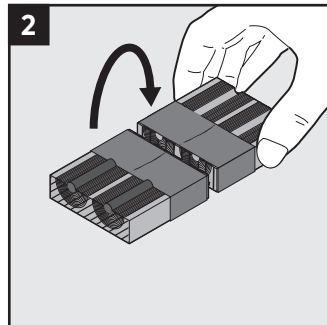


4 Lubricate the inside surfaces, especially into the corners. Continue the reinstallation.

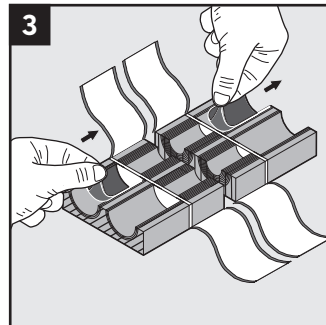
Modules with multiple openings



1 For modules with multiple openings, take extra care when peeling layers.



2 Folding the halves like this will line up corresponding openings.



3 Adapt one opening at a time by removing layers.

Note

- Integrated environmental sealing system for potential equalization applications, for use with shielded cables.
- To be used with Roxtec CM PE modules.
- For optimum reliability, wait 24 hours or longer after installation before exposing the cables/pipes to strain or pressure.
- Cables shall go straight through the frame.
- Cable/pipe with a considerable weight needs to be supported to prevent damage or subsidence to the seal.
- Protection paper and plastic film must be removed on all modules.
- If the conductive tape is damaged, the module must be replaced.
- Approvals or certificates may include amendments or limitations related to this application.
- The latest version of this and related documents are found at roxtec.com.

Disclaimer

*The Roxtec cable and pipe entry sealing system ('the Roxtec system') is a modular-based system of sealing products consisting of different components. Each and every one of the components is necessary for the best performance of the Roxtec system. The Roxtec system has been certified to resist a number of different hazards. Any such certification, and the ability of the Roxtec system to resist such hazards, is dependent on all components that are installed as a part of the Roxtec system. Thus, the certification is not valid and does not apply unless all components installed as part of the Roxtec system are manufactured by or under license from Roxtec ('authorized manufacturer'). Roxtec gives no performance guarantee with respect to the Roxtec system, unless (I) all components installed as part of the Roxtec system are manufactured by an authorized manufacturer and (II) the purchaser is in compliance with (a), and (b), below.

(a) During storage, the Roxtec system or part thereof, shall be kept indoors in its original packaging at room temperature.

(b) Installation shall be carried out in accordance with Roxtec installation instructions in effect from time to time.

The product information provided by Roxtec does not release the purchaser of the Roxtec system, or part thereof, from the obligation to independently

determine the suitability of the products for the intended process, installation and/or use.

Roxtec gives no guarantee for the Roxtec system or any part thereof and assumes no liability for any loss or damage whatsoever, whether direct, indirect, consequential, loss of profit or otherwise, occurred or caused by the Roxtec systems or installations containing components not manufactured by an authorized manufacturer and/or occurred or caused by the use of the Roxtec system in a manner or for an application other than for which the Roxtec system was designed or intended.

Roxtec expressly excludes any implied warranties of merchantability and fitness for a particular purpose and all other express or implied representations and warranties provided by statute or common law. User determines suitability of the Roxtec system for intended use and assumes all risk and liability in connection therewith. In no event shall Roxtec be liable for indirect, consequential, punitive, special, exemplary or incidental damages or losses.

The Roxtec products are offered and sold in accordance with the conditions of the Roxtec General Terms of Sales. The latest version of the Roxtec General Terms of Sales can be found and downloaded from roxtec.com/general-terms-of-sales.*



Roxtec International AB
 Box 540, 371 23 Karlskrona, SWEDEN
 +46 455 36 67 00, info@roxtec.com
www.roxtec.com