

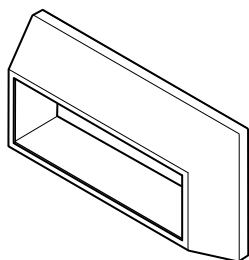
Safety information

Roxtec recommends that all installations are performed without facility operation. Follow national regulations and installation codes. Any action affecting the routed service should be performed according to manufacturer recommendations.

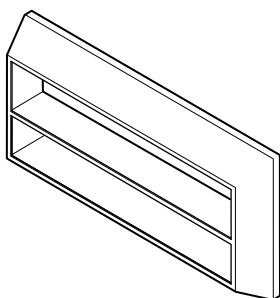


Installation instructions Roxtec CF 8 EMC and Roxtec CF 32 EMC frames

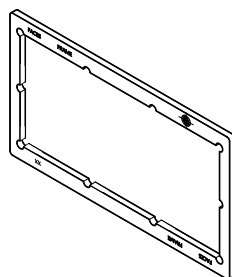
Components



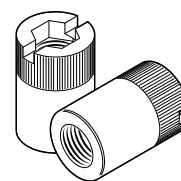
Roxtec CF 8 EMC frame



Roxtec CF 32 EMC frame



Roxtec CF counter frame



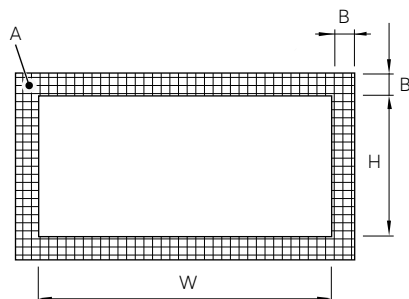
Roxtec CF nuts

Aperture dimensions

Max. wall thickness 4 mm.

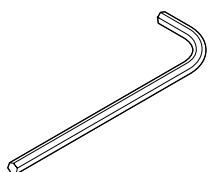
The area facing the Roxtec CF counter frame must be conductive and connected to ground (A).

All dimensions in millimeters.



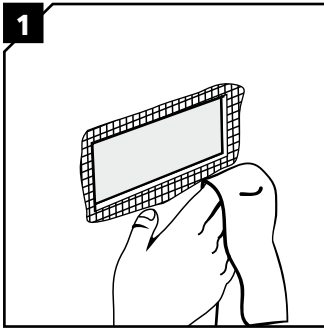
Frame	W	H	B
Roxtec CF 8	127±1	61±1	10
Roxtec CF 32	216±1	110±1	15

Tools

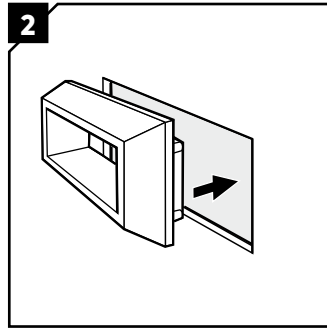


Allen key 5 mm
(not included)

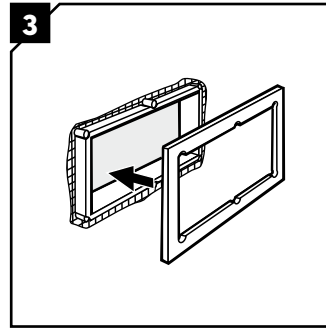
Installation



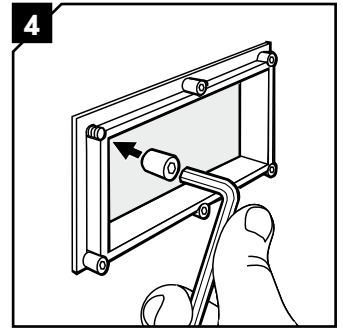
1 Clean the area in order to achieve good electrical conductivity between the counter frame and the termination/interior side of the aperture.



2 Insert the frame from the environmental side of the aperture.

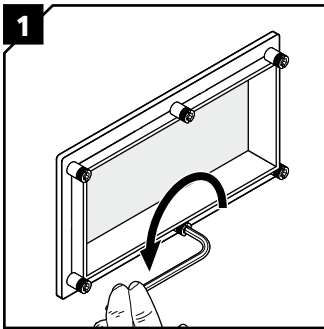


3 Insert the counter frame from the termination/interior side of the aperture.

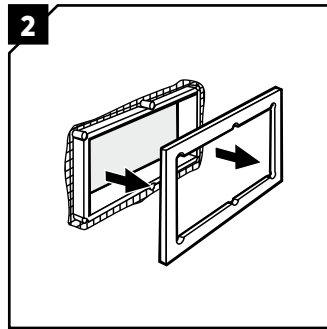


4 Use an allen key to fasten the frame by tightening the nuts crosswise in small steps to 3 Nm. Start with the short sides.

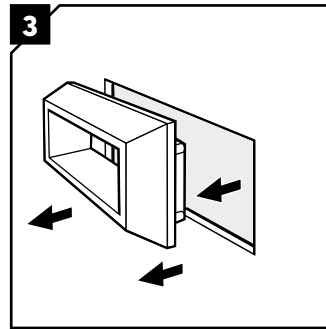
Disassembly



1 Untighten the CF nuts crosswise.



2 Remove the counter frame.



3 Remove the frame.

Note

- For optimum reliability, wait 24 hours or longer after installation before exposing the cables/pipes to strain or pressure.
- To be used with: CM ES or CM PE components.
- Total packing space for CF 8: 40x80 mm, CF 32: 2x(40x160 mm)
- Approvals or certificates may include amendments or limitations related to this application.
- The latest version of this and related documents are found at roxtec.com.

DISCLAIMER

"The Roxtec cable entry sealing system ("the Roxtec system") is a modular-based system of sealing products consisting of different components. Each and every one of the components is necessary for the best performance of the Roxtec system. The Roxtec system has been certified to resist a number of different hazards. Any such certification, and the ability of the Roxtec system to resist such hazards, is dependent on all components that are installed as a part of the Roxtec system. Thus, the certification is not valid and does not apply unless all components installed as part of the Roxtec system are manufactured by or under license from Roxtec ("authorized manufacturer"). Roxtec gives no performance guarantee with respect to the Roxtec system, unless (I) all components installed as part of the Roxtec system are manufactured by an authorized manufacturer and (II) the purchaser is in compliance with (a), and (b), below.

(a) During storage, the Roxtec system or part thereof, shall be kept indoors in its original packaging at room temperature.

(b) Installation shall be carried out in accordance with Roxtec installation instructions in effect from time to time.

The product information provided by Roxtec does not release the purchaser of the Roxtec system, or part thereof, from the obligation to independently determine the suitability of the products for the intended process, installation and/or use.

Roxtec gives no guarantee for the Roxtec system or any part thereof and assumes no liability for any loss or damage whatsoever, whether direct, indirect, consequential, loss of profit or otherwise, occurred or caused by the Roxtec systems or installations containing components not manufactured by an authorized manufacturer and/or occurred or caused by the use of the Roxtec system in a manner or for an application other than for which the Roxtec system was designed or intended.

Roxtec expressly excludes any implied warranties of merchantability and fitness for a particular purpose and all other express or implied representations and warranties provided by statute or common law. User determines suitability of the Roxtec system for intended use and assumes all risk and liability in connection therewith. In no event shall Roxtec be liable for indirect, consequential, punitive, special, exemplary or incidental damages or losses.*



Roxtec International AB
 Box 540, 371 23 Karlskrona, SWEDEN
 PHONE +46 455 36 67 00, FAX +46 455 820 12
 EMAIL info@roxtec.com, www.roxtec.com