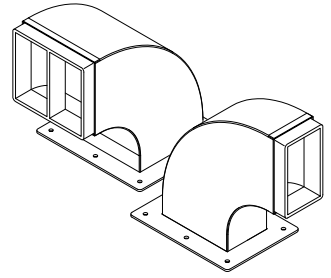
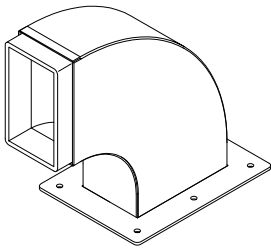


Installation instructions

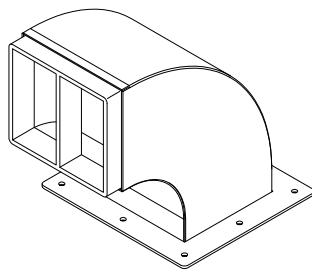
Roxtec Swan Neck



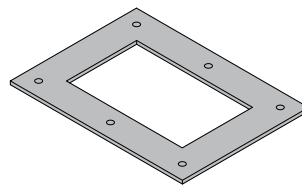
Components



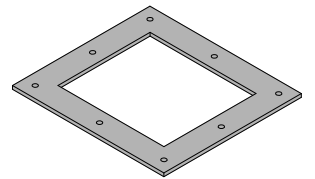
Roxtec Swan Neck 6x1



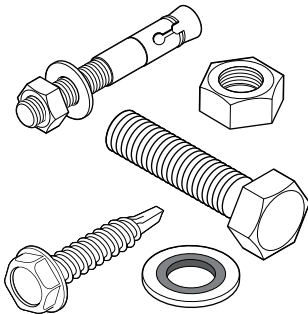
Roxtec Swan Neck 6x2



Gasket 6x1

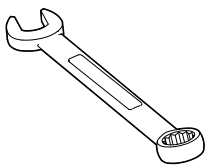


Gasket 6x2



Fasteners with recommended diameter max 10 mm.

Tools

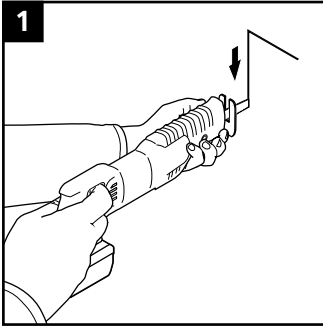


Spanner (not included)

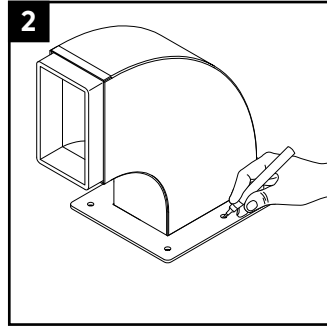
Technical data

Name	Aperture dimensions WxH (mm)
SWAN NECK 6x1	145(+5/-0) x 245(+5/-0)
SWAN NECK 6x2	280(+5/-0) x 245(+5/-0)

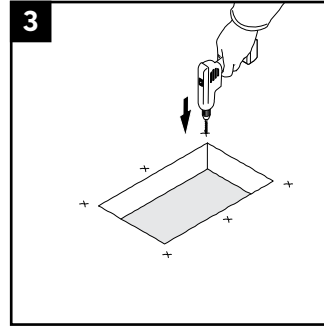
Installation



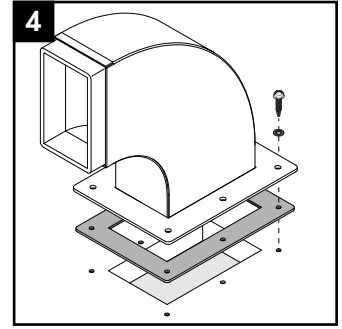
1 Make or verify an aperture.



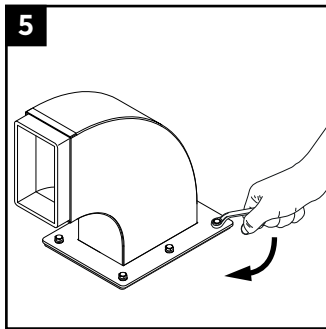
2 Use the flange of the Roxel Swan Neck to mark the position of the fasteners.



3 Drill the holes for the fasteners.

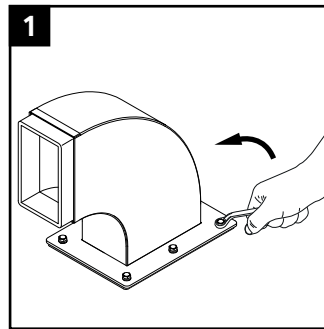


4 Use suitable fasteners to secure the Roxel Swan Neck to the structure.

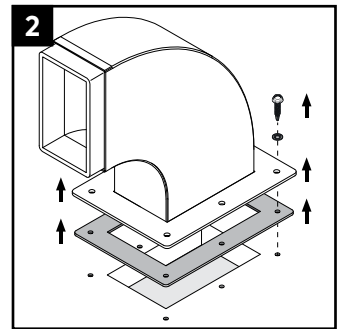


5 Tighten the fasteners crosswise in small steps according to your selected fasteners.

Disassembly



1 Untighten and remove the fasteners.



2 Remove the Roxel Swan Neck and gasket.

Disclaimer

"The Roxel cable entry sealing system ("the Roxel system") is a modular-based system of sealing products consisting of different components. Each and every one of the components is necessary for the best performance of the Roxel system. The Roxel system has been certified to resist a number of different hazards. Any such certification, and the ability of the Roxel system to resist such hazards, is dependent on all components that are installed as a part of the Roxel system. Thus, the certification is not valid and does not apply unless all components installed as part of the Roxel system are manufactured by or under license from Roxel ("authorized manufacturer"). Roxel gives no performance guarantee with respect to the Roxel system, unless (I) all components installed as part of the Roxel system are manufactured by an authorized manufacturer and (II) the purchaser is in compliance with (a), and (b), below.

(a) During storage, the Roxel system or part thereof, shall be kept indoors in its original packaging at room temperature.
 (b) Installation shall be carried out in accordance with Roxel installation instructions in effect from time to time.

The product information provided by Roxel does not release the purchaser of the Roxel system, or part thereof, from the obligation to independently determine the suitability of the products for the intended process, installation and/or use.

Roxel gives no guarantee for the Roxel system or any part thereof and assumes no liability for any loss or damage whatsoever, whether direct, indirect, consequential, loss of profit or otherwise, occurred or caused by the Roxel systems or installations containing components not manufactured by an authorized manufacturer and/or occurred or caused by the use of the Roxel system in a manner or for an application other than for which the Roxel system was designed or intended.

Roxel expressly excludes any implied warranties of merchantability and fitness for a particular purpose and all other express or implied representations and warranties provided by statute or common law. User determines suitability of the Roxel system for intended use and assumes all risk and liability in connection therewith. In no event shall Roxel be liable for indirect, consequential, punitive, special, exemplary or incidental damages or losses.*



Roxel International AB
 Box 540, 371 23 Karlskrona, SWEDEN
 +46 455 36 67 00, info@roxtec.com
 www.roxtec.com