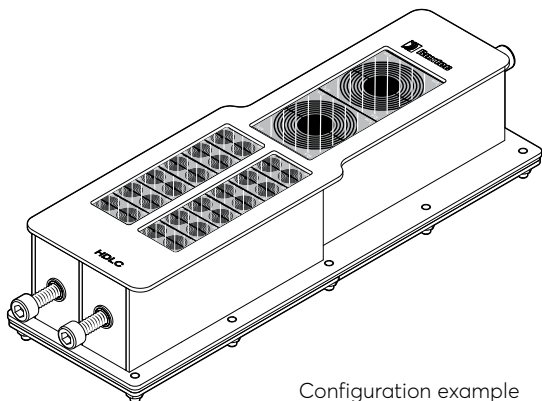


## Safety information

Roxtec recommends that all installations are performed without facility operation. Follow national regulations and installation codes. Any action affecting the routed service should be performed according to manufacturer recommendations.

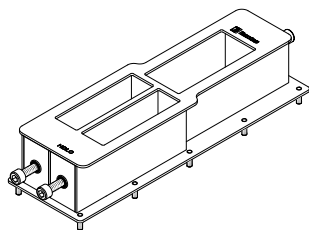


## Installation instructions Roxtec HDLC with Roxtec RM BG™ B modules

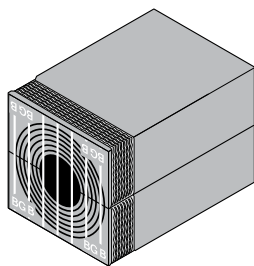


Configuration example  
HDLC 24+2 BG

## Components



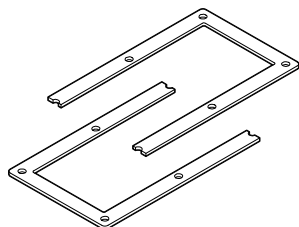
HDLC frame  
incl. fasteners



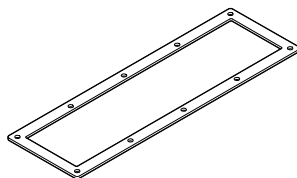
RM BG B module



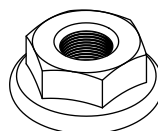
Roxtec Lubricant



HDLC counter frame

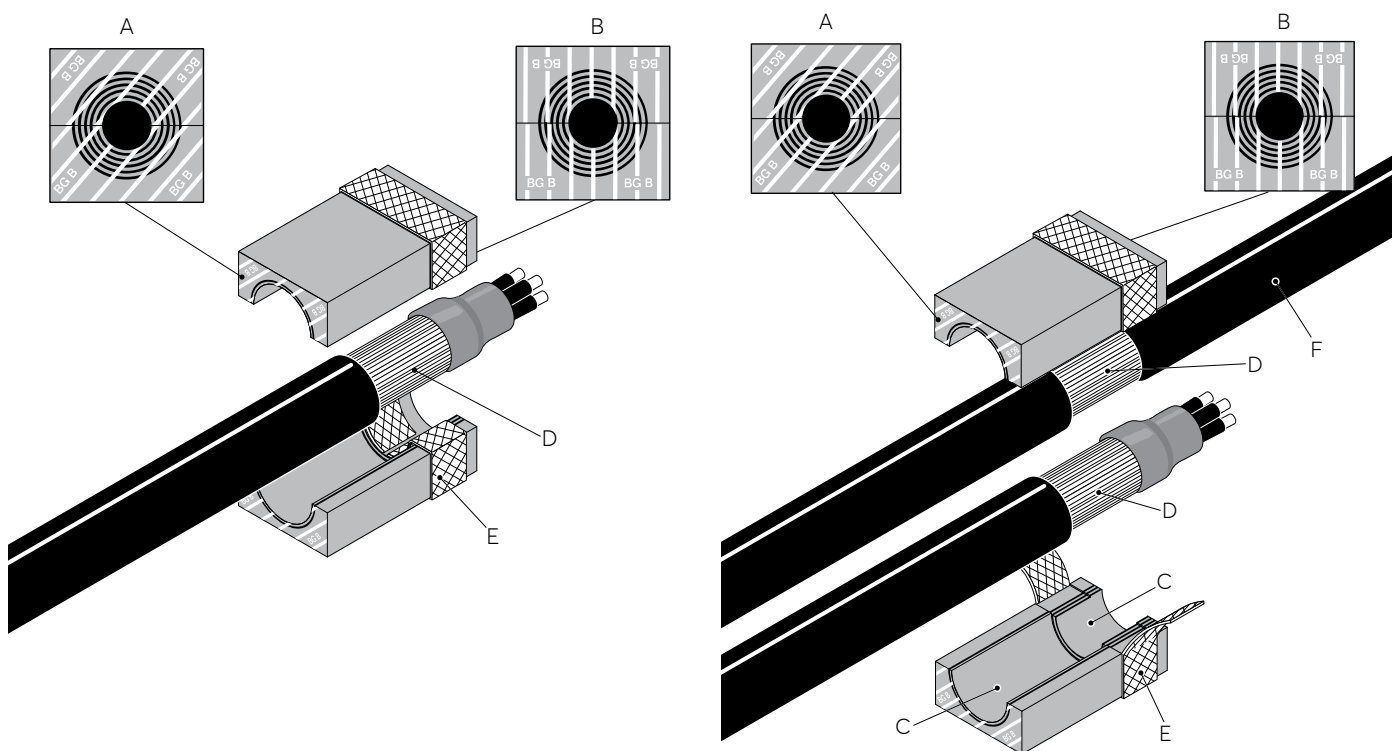


HDLC gasket



Nuts

## Roxtec RM BG™ B module



A: Environmental side  
 B: Termination/interior side  
 C: Removable layers  
 D: Cable armor

E: Module braid  
 F: Cable jacket

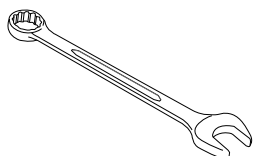
## Adaptable Roxtec RM BG™ B modules

Module	For cable/pipe diameter range Ø (mm)	Approx. total braid cross section sq mm	Approx. eqv. AWG	Number of cables	Packing space
RM 20 BG B	0+4-14.5	8	8	1	B
RM 20w40 BG B	0+3.5-16.5	4	11	2	B
RM 40 BG B	0+21.5-34.5	21	4	1	B
RM 40 10-32 BG B	0+9.5-32.5	21	4	1	B
RM 30 BG B	0+10-25	13	6	1	A
RM 60 BG B	0+28-54	42	1	1	A
RM 60 24-54 BG B	0+24-54	42	1	1	A

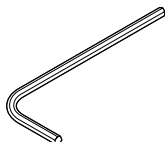
## Solid compensation Roxtec RM BG™ B modules

Module	Packing space
RM 20/0 BG B	B
RM 30/0 BG B	A
RM 40/0 BG B	B
RM 60/0 BG B	A

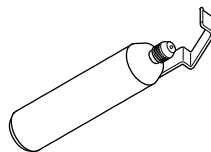
## Tools



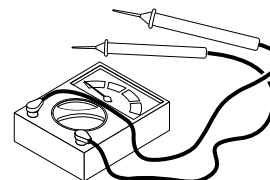
Spanner 10 mm and 17 mm  
(Not included)



Hex key 8 mm  
(Not included)



Cable stripper tool  
(not included)



Continuity tester  
(not included)

## Aperture dimensions in cabinet

All measures in (mm).

Max wall/cabinet thickness: 5 mm



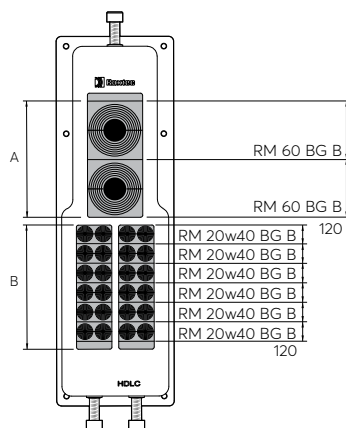
## Packing space

All measures in (mm).

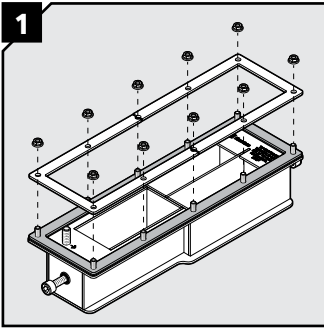
### Example of module configuration:

The packing height is 120 mm for all three openings.

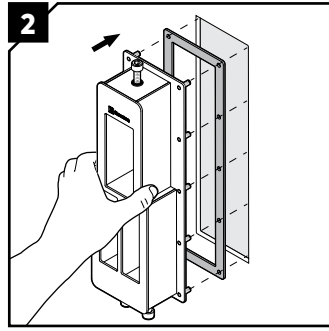
The combined height of modules for one opening must be equal to the packing height of 120 mm.



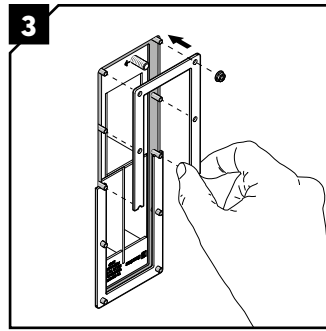
# Installation



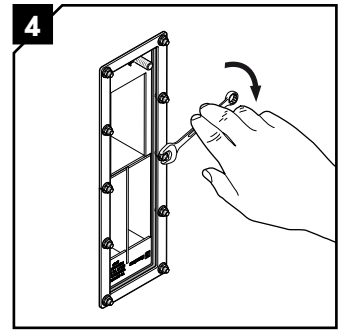
1 Remove all nuts and the two parts of the counter frame.



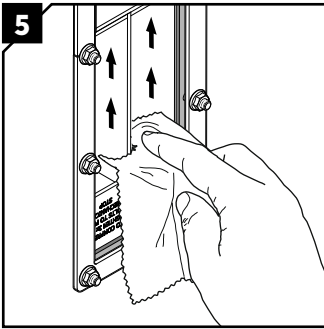
2 Insert the frame from the outside of the cabinet. Ensure that the gasket is placed between the frame and the cabinet.



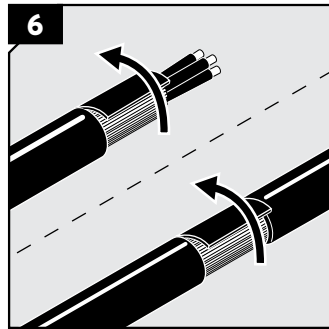
3 Attach the two parts of the counter frame and the nuts from the inside of the cabinet.



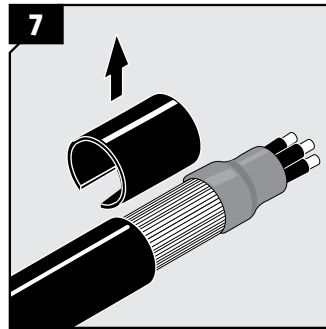
4 Tighten the nuts crosswise in small steps. Recommended torque 4 Nm. Do not overtighten.



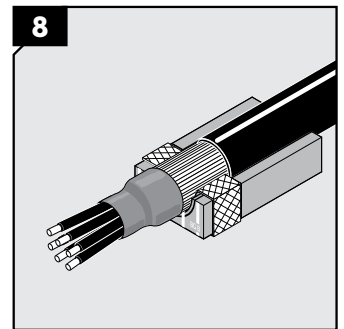
5 Clean the inside surfaces of the frame.



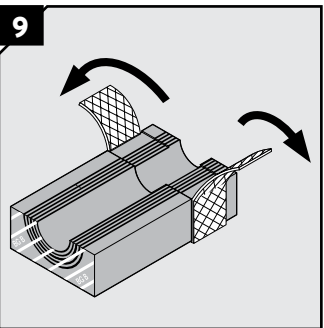
6 Remove the outer jacket and any plastic foil. The cable armor shall be clean and conductive.



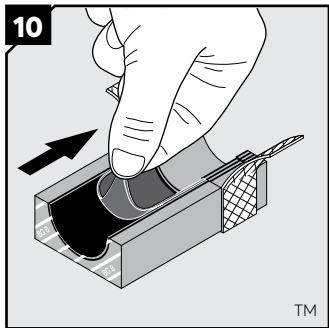
7 Secure the end of the cable armor. Suggestions for cable preparations are available on [www.roxtec.com](http://www.roxtec.com).



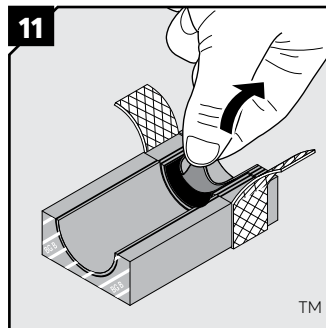
8 Correct placement of a cable in a RM BG B module. The cable armor shall be visible outside the module.



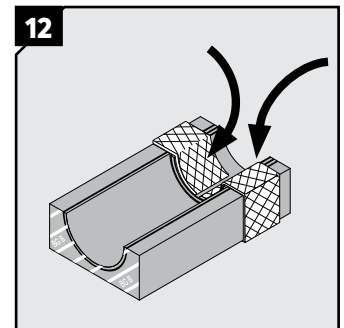
9 Remove the core and fold out the braid.



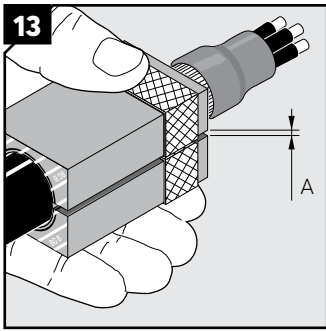
10 Adapt layers on the environmental protection side on both module halves to fit outer jacket.



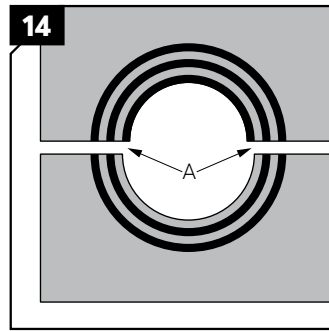
11 Adapt layers on the termination side on both module halves to fit cable armor.



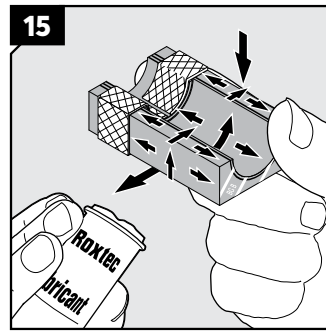
12 Fold the braid tightly inside the module.



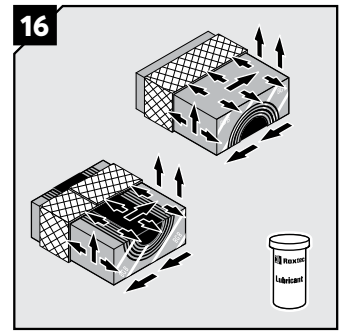
13 Achieve a 0.1-1.0 mm gap (A) between the two halves when held against the cable.



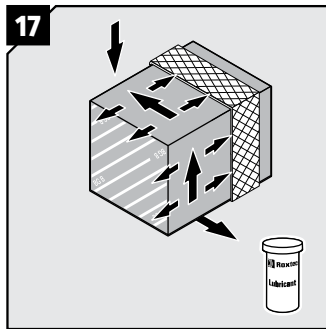
14 The number of layers may not differ (A) by more than one between the corresponding module halves.



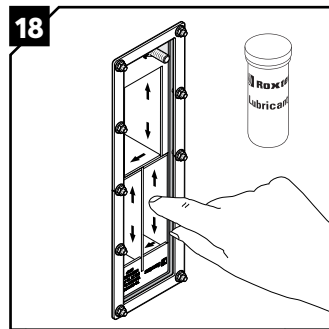
15 Lubricate the sealing surfaces of all modules. Avoid excess lubricant on the braid.



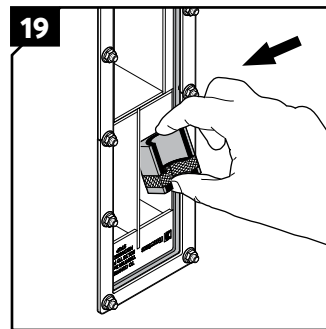
16 Lubricate the sealing surfaces of the spare modules. Do not remove the core.



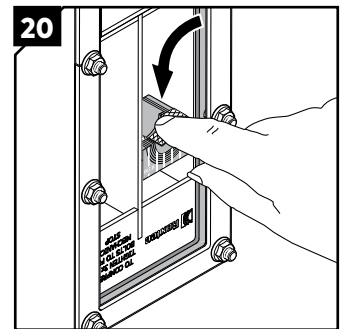
17 Lubricate the sealing surfaces of the solid modules.



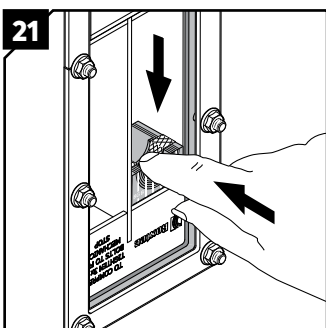
18 Lubricate the inside surfaces all around with Roxtec Lubricant, especially into the corners.



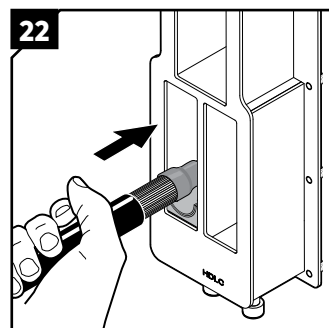
19 Insert the modules at an angle from the back side of the transit according to your packing plan.



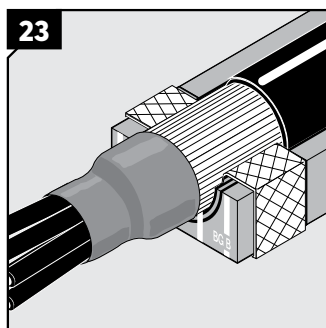
20 Turn the modules in line with the frame. Make sure the environmental side of the module is facing outwards of the enclosure.



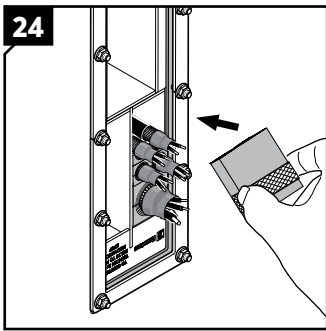
21 Push the modules in place. Ensure that the module rests against the stopping edge at the front.



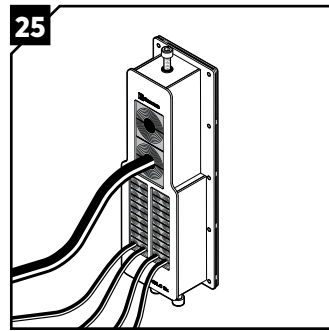
22 Insert the cables through the frame.



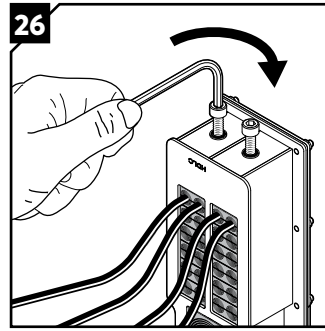
23 When placing cables in modules, the cable armor shall be visible outside the module at the termination side.



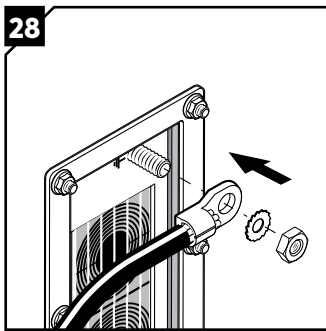
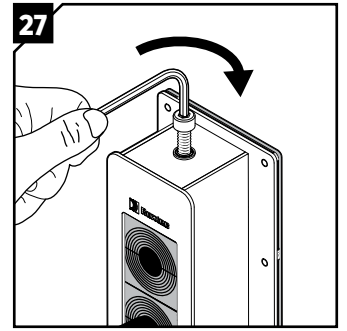
24 Continue to fill up the transit according to your packing plan.



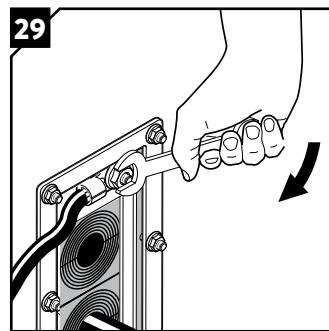
25 Ensure that the combined height of modules equals the packing height of 120 mm.



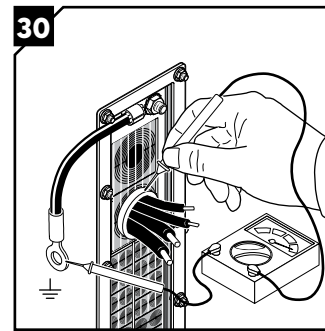
26 Tighten the 3 screws of the compression units until full mechanical stop. Do not exceed 20 Nm (15 ft.lb.).



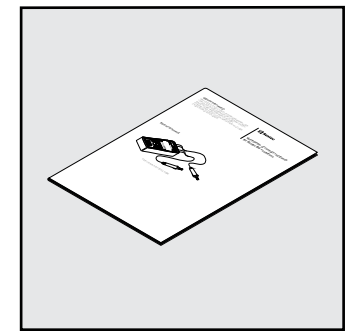
28 Attach the protective bonding conductor to the frame.



29 Tighten the nut firmly.

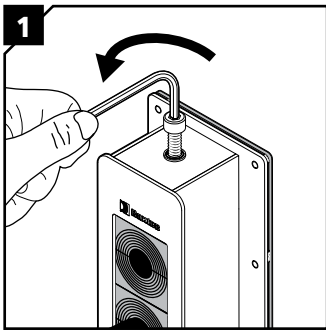


30 Verify earth continuity from each cable armor/shield to earth. Use a suitable instrument.

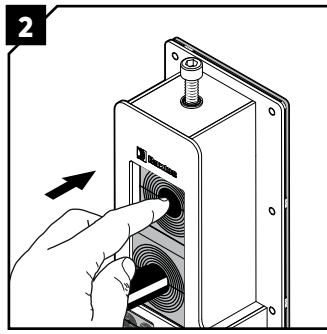


For information about verification of contact resistance, see document DOC-000975 verification of contact resistance on [www.roxtec.com](http://www.roxtec.com).

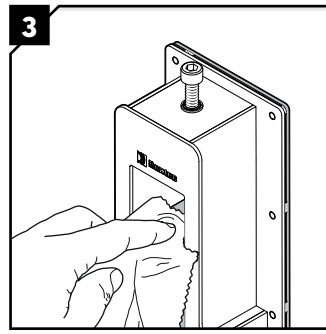
## Disassembly and reinstallation



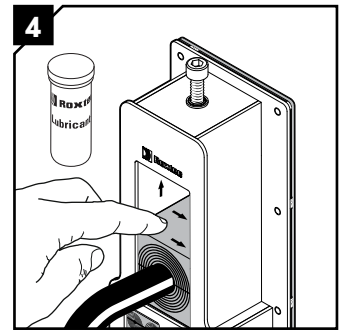
1 Release the compression by loosening the screws.



2 Push out the modules from the environmental side.



3 Make sure that the inside surfaces of the exposed packing space are free from dirt or dust.



4 Lubricate the inside surfaces all around with Roxtec Lubricant, especially into the corners. Continue the reinstallation.

## Note

- Integrated environmental sealing system for bonding and grounding applications. For use with armored cables.
- For optimum reliability, wait 24 hours or longer after installation before exposing the cables or pipes to strain or pressure.
- Cables shall go straight through the frame.
- To be used with: Roxtec RM BG B components.
- To simplify installation in frames with more than one opening, fill all openings before tightening the compression units.
- Approvals or certificates may include amendments or limitations related to this application.
- The latest version of this and related documents are found at roxtec.com.
- The final complete bonding/earthing installation has to comply with applicable codes and regulations.

## DISCLAIMER

"The Roxtec cable entry sealing system ("the Roxtec system") is a modular-based system of sealing products consisting of different components. Each and every one of the components is necessary for the best performance of the Roxtec system. The Roxtec system has been certified to resist a number of different hazards. Any such certification, and the ability of the Roxtec system to resist such hazards, is dependent on all components that are installed as a part of the Roxtec system. Thus, the certification is not valid and does not apply unless all components installed as part of the Roxtec system are manufactured by or under license from Roxtec ("authorized manufacturer"). Roxtec gives no performance guarantee with respect to the Roxtec system, unless (I) all components installed as part of the Roxtec system are manufactured by an authorized manufacturer and (II) the purchaser is in compliance with (a), and (b), below.

(a) During storage, the Roxtec system or part thereof, shall be kept indoors in its original packaging at room temperature.

(b) Installation shall be carried out in accordance with Roxtec installation instructions in effect from time to time.

The product information provided by Roxtec does not release the purchaser of the Roxtec system, or part thereof, from the obligation to independently determine the suitability of the products for the intended process, installation and/or use.

Roxtec gives no guarantee for the Roxtec system or any part thereof and assumes no liability for any loss or damage whatsoever, whether direct, indirect, consequential, loss of profit or otherwise, occurred or caused by the Roxtec systems or installations containing components not manufactured by an authorized manufacturer and/or occurred or caused by the use of the Roxtec system in a manner or for an application other than for which the Roxtec system was designed or intended.

Roxtec expressly excludes any implied warranties of merchantability and fitness for a particular purpose and all other express or implied representations and warranties provided by statute or common law. User determines suitability of the Roxtec system for intended use and assumes all risk and liability in connection therewith. In no event shall Roxtec be liable for indirect, consequential, punitive, special, exemplary or incidental damages or losses.\*



**Roxtec International AB**  
 Box 540, 371 23 Karlskrona, SWEDEN  
 PHONE +46 455 36 67 00, FAX +46 455 820 12  
 EMAIL [info@roxtec.com](mailto:info@roxtec.com), [www.roxtec.com](http://www.roxtec.com)