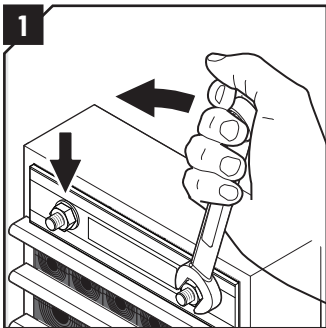
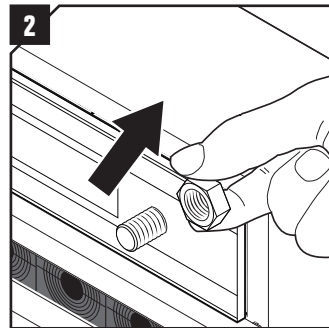


The Roxtec Top packing puller is used to remove Roxtec wedges and top packings in order to simplify retrofit work and upgrades.

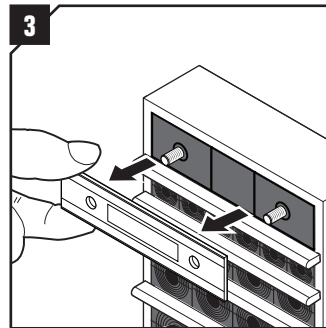
Using the Top packing puller



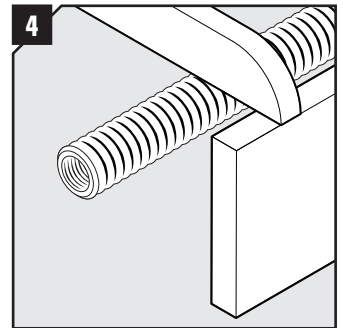
1 Turn the nuts counter-clockwise to release the compression.



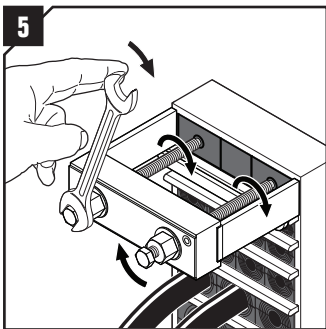
2 Remove the two nuts.



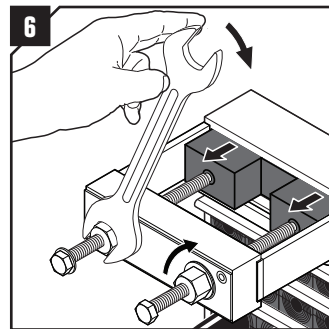
3 Remove the fitting of the top packing.



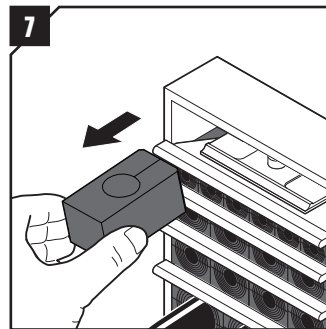
4 Locate the two threaded holes on the Top packing puller.



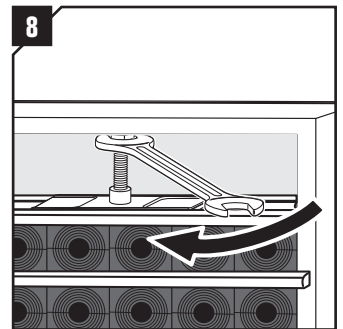
5 Attach the top packing puller to the top-packing. Attach evenly to the two bolts.



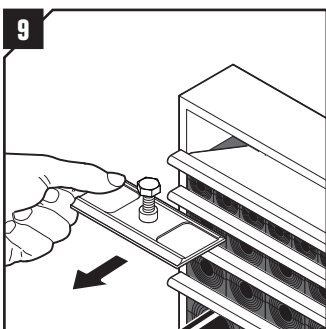
6 Turn either one of the two larger nuts clockwise on the puller. The top packing will now be pulled from the frame.



7 Remove the center piece of the top packing.

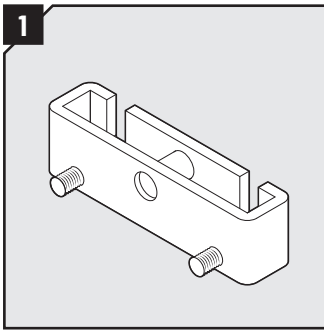


8 Loosen the compression plate nut.

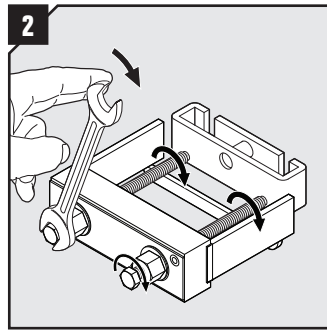


9 Remove the compression plate.

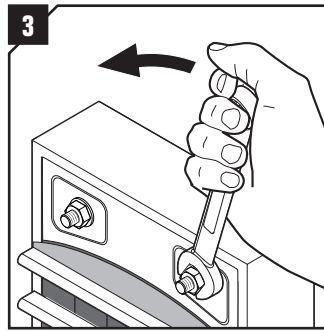
Removing Top packings of other brands using an adapter



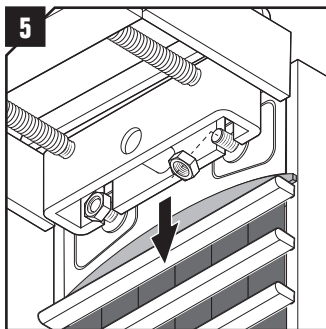
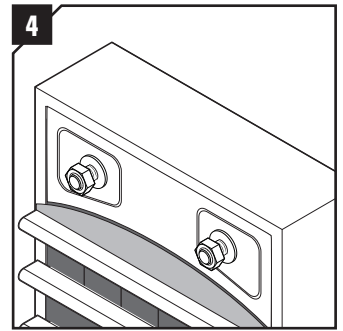
Use this Roxtec adapter with the top packing puller to remove top packings of other brands.



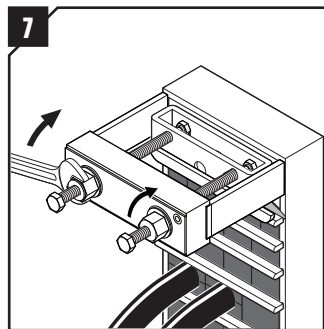
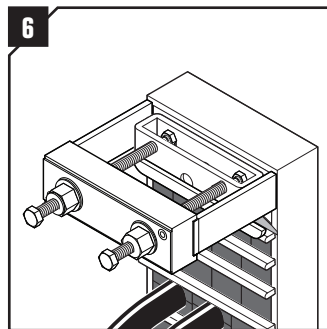
Mount the adapter to the Top packing puller.



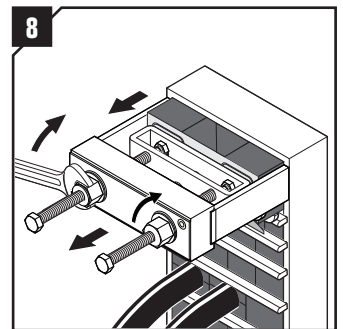
Loosen the nuts on the top packing to make room for the adapter.



Fasten the adapter to the top packing by inserting it in the space behind the nuts.



Turn either one of the two larger nuts clockwise on the puller. The top packing/wedge will now be pulled from the frame.



Note

- A damaged top packing must be replaced by a Roxtec wedge.

DISCLAIMER

"The Roxtec cable entry sealing system ("the Roxtec system") is a modular-based system of sealing products consisting of different components. Each and every one of the components is necessary for the best performance of the Roxtec system. The Roxtec system has been certified to resist a number of different hazards. Any such certification, and the ability of the Roxtec system to resist such hazards, is dependent on all components that are installed as a part of the Roxtec system. Thus, the certification is not valid and does not apply unless all components installed as part of the Roxtec system are manufactured by or under license from Roxtec ("authorized manufacturer"). Roxtec gives no performance guarantee with respect to the Roxtec system, unless (I) all components installed as part of the Roxtec system are manufactured by an authorized manufacturer and (II) the purchaser is in compliance with (a), and (b), below.
 (a) During storage, the Roxtec system or part thereof, shall be kept indoors in its original packaging at room temperature.
 (b) Installation shall be carried out in accordance with Roxtec installation instructions in effect from time to time.
 The product information provided by Roxtec does not release the purchaser of the

Roxtec system, or part thereof, from the obligation to independently determine the suitability of the products for the intended process, installation and/or use. Roxtec gives no guarantee for the Roxtec system or any part thereof and assumes no liability for any loss or damage whatsoever, whether direct, indirect, consequential, loss of profit or otherwise, occurred or caused by the Roxtec systems or installations containing components not manufactured by an authorized manufacturer and/or occurred or caused by the use of the Roxtec system in a manner or for an application other than for which the Roxtec system was designed or intended. Roxtec expressly excludes any implied warranties of merchantability and fitness for a particular purpose and all other express or implied representations and warranties provided by statute or common law. User determines suitability of the Roxtec system for intended use and assumes all risk and liability in connection therewith. In no event shall Roxtec be liable for indirect, consequential, punitive, special, exemplary or incidental damages or losses."



Roxtec International AB
 Box 540, 371 23 Karlskrona, SWEDEN
 PHONE +46 455 36 67 00, FAX +46 455 820 12
 EMAIL info@roxtec.com, www.roxtec.com