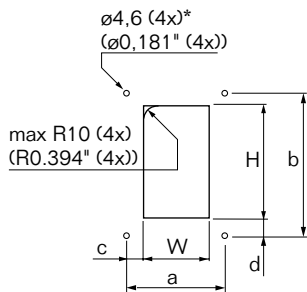


Installation instructions
 Roxtec ComSeal™ LW 6
 Roxtec ComSeal™ LW 12
 Roxtec ComSeal™ LW 12 FL 21
 Roxtec ComSeal™ LW 16

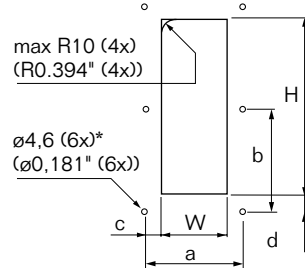
Aperture dimensions

ComSeal™ LW 6



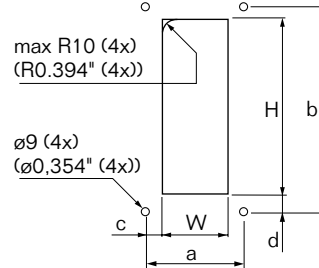
	(mm)	(in)
H	109±1	4.291±0.039
W	56±1	2.205±0.039
a	68.5±0.5	2.697±0.020
b	121±0.5	4.764±0.020
c	6.25±1	0.246±0.039
d	6±1	0.236±0.039

ComSeal™ LW 12



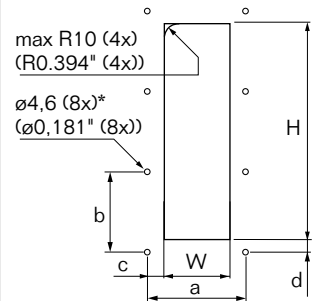
	(mm)	(in)
H	169±1	6.654±0.039
W	56±1	2.205±0.039
a	68.5±0.5	2.697±0.020
b	90.5±0.5	3.563±0.020
c	6.25±1	0.118±0.039
d	6±1	0.236±0.039

ComSeal™ LW 12 FL 21



	(mm)	(in)
H	169±1	6.654±0.039
W	56±1	2.205±0.039
a	62±0.5	2.441±0.020
b	193±0.5	7.598±0.020
c	3±1	0.118±0.039
d	12±1	0.472±0.039

ComSeal™ LW 16



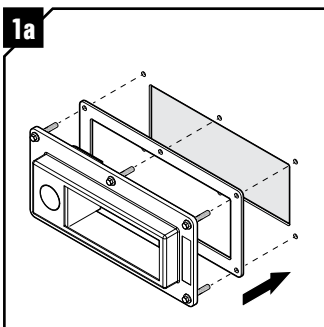
	(mm)	(in)
H	209±1	8.228±0.039
W	56±1	2.205±0.039
a	68.5±0.5	2.697±0.020
b	73.7±0.5	2.902±0.020
c	6.25±1	0.246±0.039
d	6±1	0.236±0.039

Cut a rectangular opening for the frame, according to the tables above. For Roxtec ComSeal™ LW 12 FL 21 cut a rectangular opening according to FL 21 or the table above.

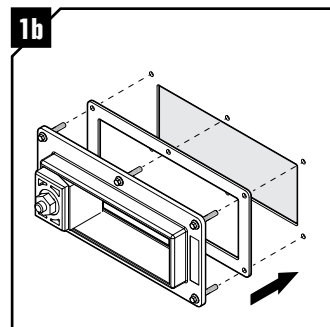
* $\varnothing 5.5$ (7/32"). Drill bit size when using nuts.

Use a counter flange with Roxtec ComSeal™ LW 12 FL 21 (article no. 2CV0001020219) if the wall structure is thinner than 2 mm.

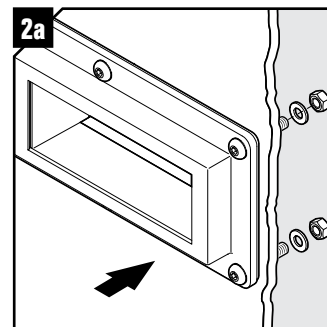
Installation



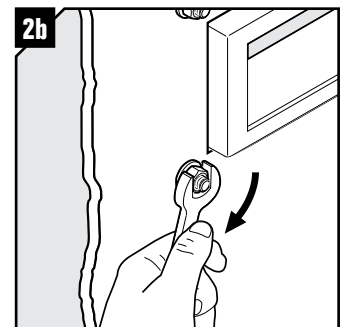
Insert the frame in the opening with gasket side towards the wall/structure. Use the screws for keeping the gasket in place.



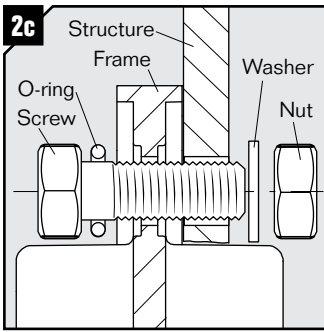
Alternatively, insert it with the other side of the flange and gasket facing the wall/structure.



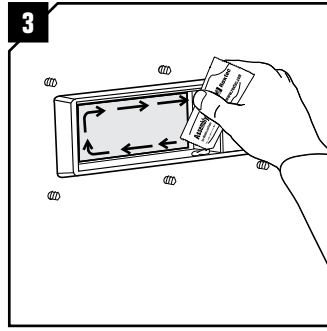
Attach the frame firmly, using the enclosed screws, washers and nuts.



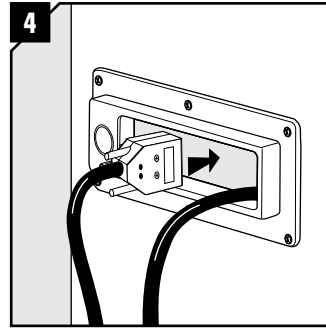
Tighten the nuts firmly, crosswise and in small steps.



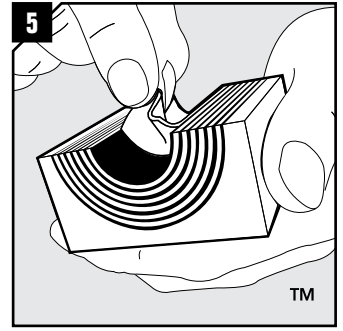
For ComSeal LW 12 FL 21, attach the frame firmly, using the enclosed screws, nuts, o-rings and washers. Make sure that the o-ring is mounted under the bolt head.



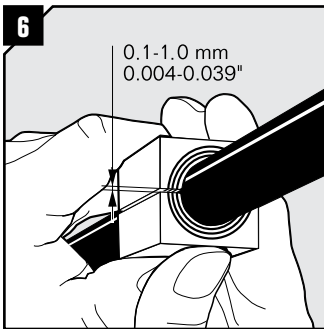
Lubricate the inside surfaces of the frame with Roxtec Assembly Gel, especially in the corners.



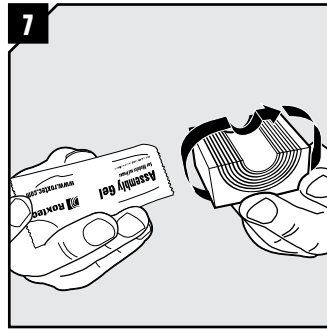
Insert the cables through the frame.



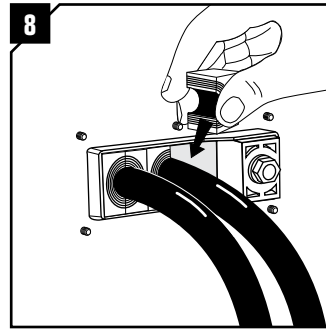
Adapt the modules, which are to hold cables or pipes. Peel off layers until you achieve the gap seen in step 6. The halves may not differ by more than one layer.



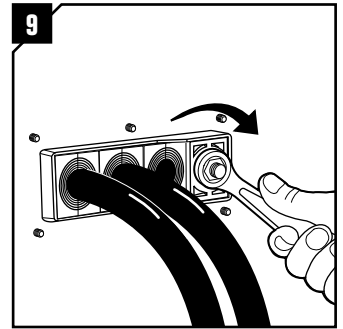
Achieve a 0.1-1.0 mm gap between the two module halves when held against the cable/pipe.



Lubricate all modules thoroughly, both on the inside and the outside surfaces, before installation.



Insert the modules from the back of the frame opening and according to the installation plan (Packing plan). If possible, start with the largest modules.



Tighten the compression unit firmly to seal the frame. Maximum 10 Nm (7.38 ft. lb). A good indication is when the assembly gel is squeezed out between the modules.

Disassembly

Reverse order.

Note

- For optimum reliability, wait 24 hours or longer after installation before exposing the cables/pipes to strain or pressure.
- To be used together with EM modules.
- Try to route cables perpendicularly through the frame.

DISCLAIMER

"The Roxtec cable entry sealing system ("the Roxtec system") is a modular-based system of sealing products consisting of different components. Each and every one of the components is necessary for the best performance of the Roxtec system. The Roxtec system has been certified to resist a number of different hazards. Any such certification, and the ability of the Roxtec system to resist such hazards, is dependent on all components that are installed as a part of the Roxtec system. Thus, the certification is not valid and does not apply unless all components installed as part of the Roxtec system are manufactured by or under license from Roxtec ("authorized manufacturer"). Roxtec gives no performance guarantee with respect to the Roxtec system, unless (i) all components installed as part of the Roxtec system are manufactured by an authorized manufacturer and (ii) the purchaser is in compliance with (a), and (b), below. (a) During storage, the Roxtec system or part thereof, shall be kept indoors in its original packaging at room temperature. (b) Installation shall be carried out in accordance with Roxtec installation instructions in effect from time to time. The product information provided by Roxtec does not release the purchaser of the

Roxtec system, or part thereof, from the obligation to independently determine the suitability of the products for the intended process, installation and/or use. Roxtec gives no guarantee for the Roxtec system or any part thereof and assumes no liability for any loss or damage whatsoever, whether direct, indirect, consequential, loss of profit or otherwise, occurred or caused by the Roxtec systems or installations containing components not manufactured by an authorized manufacturer and/or occurred or caused by the use of the Roxtec system in a manner or for an application other than for which the Roxtec system was designed or intended. Roxtec expressly excludes any implied warranties of merchantability and fitness for a particular purpose and all other express or implied representations and warranties provided by statute or common law. User determines suitability of the Roxtec system for intended use and assumes all risk and liability in connection therewith. In no event shall Roxtec be liable for indirect, consequential, punitive, special, exemplary or incidental damages or losses."



Roxtec International AB
Box 540, 371 23 Karlskrona, SWEDEN
PHONE +46 455 36 67 00, FAX +46 455 820 12
EMAIL info@roxtec.com, www.roxtec.com