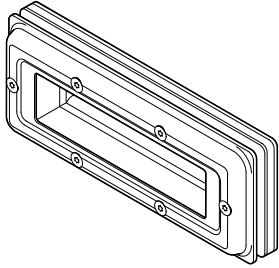


Safety information

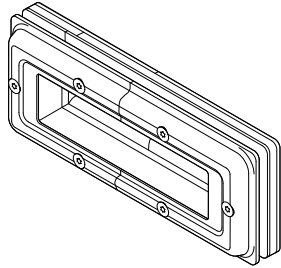
Roxtec recommends that all installations are performed without facility operation. Follow national regulations and installation codes. Any action affecting the routed service should be performed according to manufacturer recommendations.



Installation instructions Roxtec CF 16 EMC and Roxtec CF 16 EMC OPEN



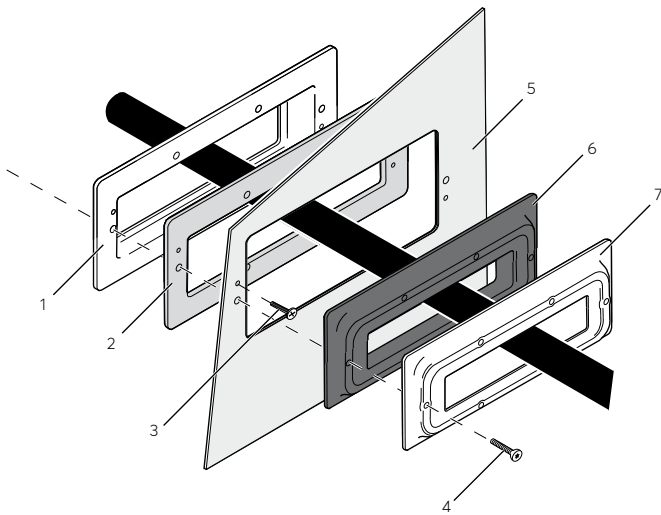
Roxtec CF 16 EMC



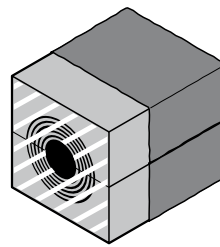
Roxtec CF 16 EMC OPEN
Openable frame

Components

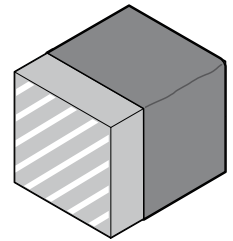
CF 16 frame



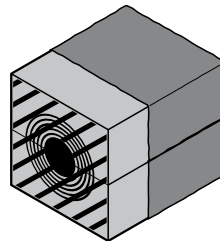
- | | |
|------------------------|-----------------------|
| 1. Back plate | 5. Cabinet/wall |
| 2. EMC plate | 6. Compression rubber |
| 3. Cross recess screws | 7. Front plate |
| 4. Torx screws | |



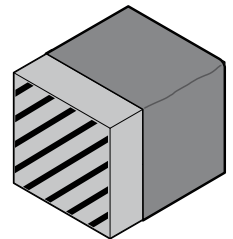
Roxtec CM ES module



Roxtec CM ES solid module



Roxtec CM PE module

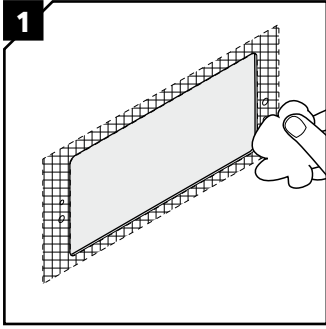


Roxtec CM PE solid module

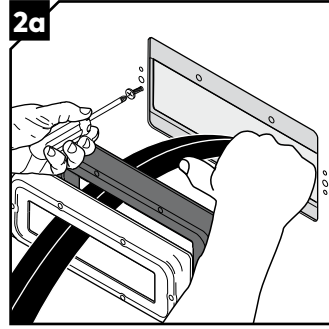


Roxtec Lubricant

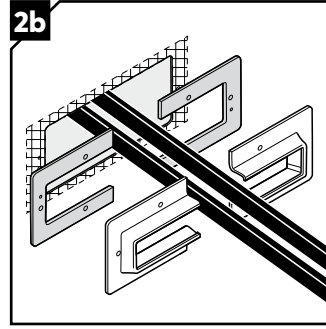
Installation



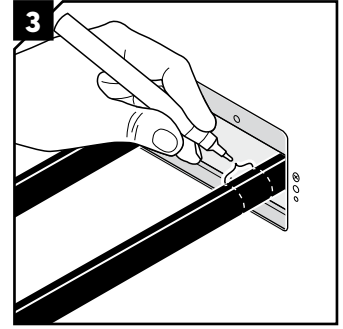
1 Clean the area in order to achieve good electrical conductivity between the EMC plate and the inside of the structure.



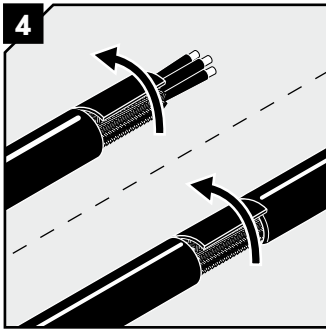
2a Route the cable through the compression rubber and front plate. Install the back plate and the EMC plate inside the cabinet.



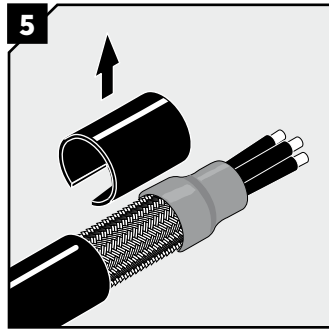
2b For openable frames, install the back plate and the EMC plate around the cables inside the cabinet.



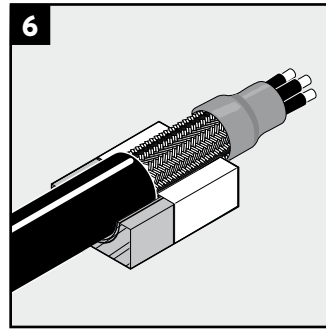
3 Mark where the outer jacket is to be removed to fit the conductive tape position (min 25 mm).



4 Remove the outer jacket and any plastic foil. The cable shield shall be clean and conductive.



5 Secure the end of the cable shield. Suggestions for cable preparations are available on www.roxtec.com.



6 Correct placement of a cable in a CM ES or PE module. The cable shield shall be visible outside the module.

Roxtec CM ES modules

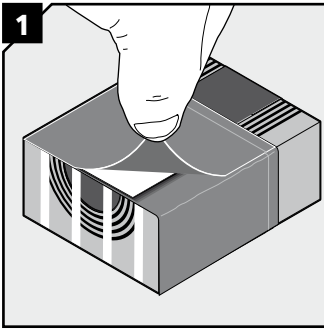
Module size	For cable/pipe outer diameter	
	Minimum	Maximum
CM 5w40/0 ES	0	0
CM 10w40/0 ES	0	0
CM 15w40 ES	3.5	10.5
CM 20w40 ES	3.5	16.5
CM 20 ES	4	14.5
CM 20/0 ES	0	0
CM 30w40 ES	10	25
CM 40 10-32 ES	9.5	32.5
CM 40/0 ES	0	0
CM 40 ES	21.5	34.5

Roxtec CM PE modules

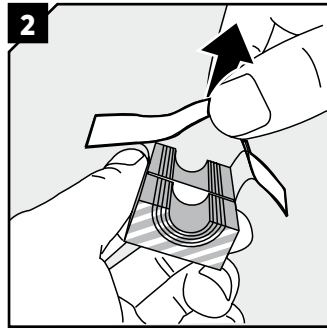
Module size	For cable/pipe outer diameter	
	Minimum	Maximum
CM 5w40/0 PE	0	0
CM 10w40/0 PE	0	0
CM 15w40 PE	3.5	10.5
CM 20w40 PE	3.5	16.5
CM 20 PE	4	14.5
CM 20/0 PE	0	0
CM 30w40 PE	10	25
CM 40 10-32 PE	9.5	32.5
CM 40/0 PE	0	0
CM 40 PE	21.5	34.5

Unused modules can be used as spare capacity.
Center cores must always be present in unused modules.

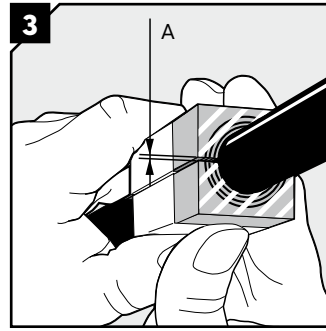
Installation of Roxtec CM ES modules



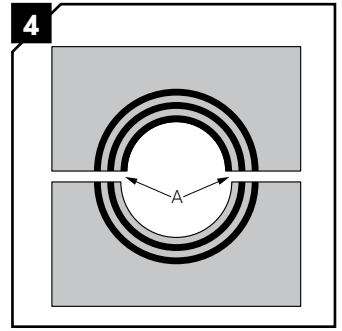
1 Lift the conductive tape.



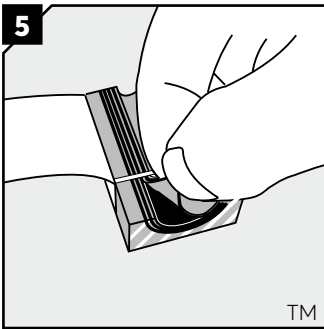
2 Remove the protection paper from all modules and fold out the conductive tape.



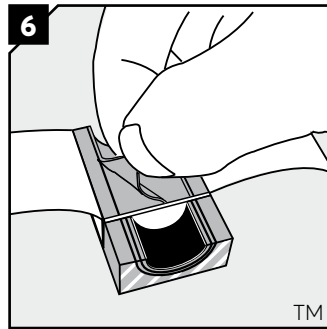
3 Achieve a gap of 0.1-1.0mm (A) between the module halves by peeling off layers. The cable shield shall be in contact with the conductive tape.



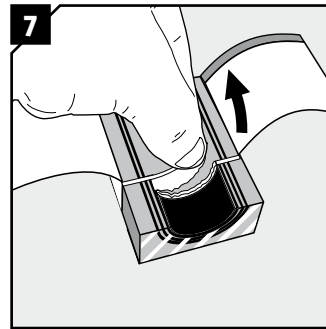
4 The number of layers may not differ (A) by more than one between the corresponding module halves.



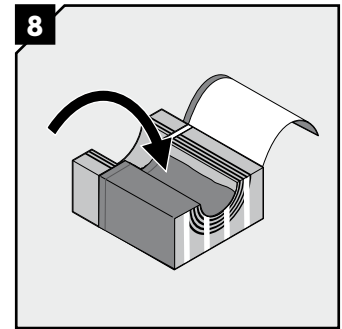
5 Adapt the layers that are in contact with the cable jacket.



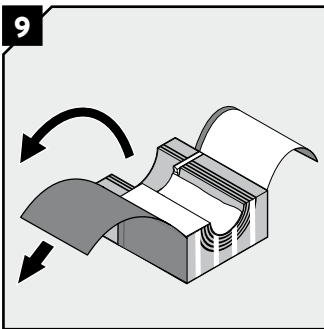
6 Adapt the layers that are in contact with the cable shield.



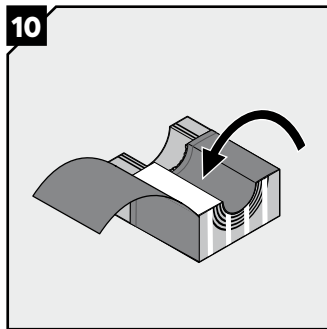
7 Adapt vertical ES shield to cable shield.



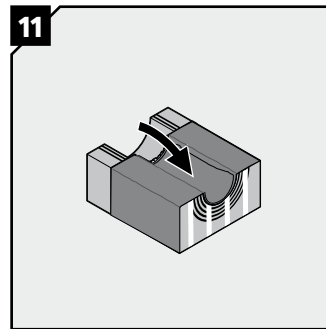
8 Fold the conductive tape tightly inside the module half from one side. Align the conductive tape with the vertical ES shield.



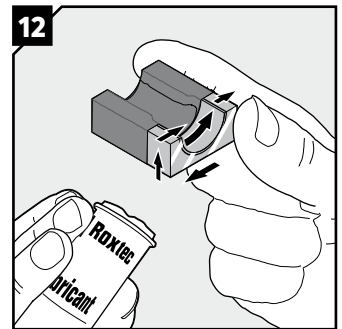
9 Separate the plastic film from the conductive tape and fold it to the side.



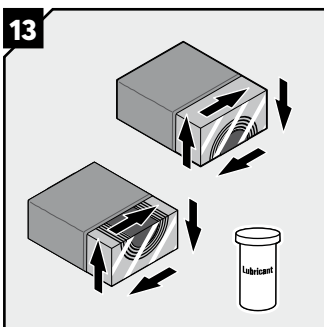
10 Fold the conductive tape on the other side tightly inside the module half.



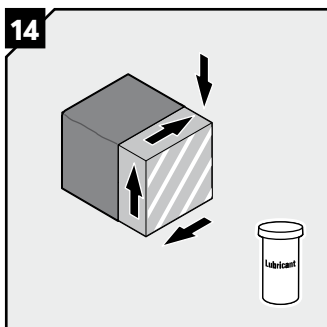
11 Fold the plastic film back inside the module half.



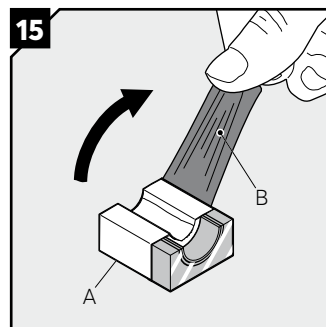
12 Lubricate the sealing surfaces of all modules. Do not lubricate the plastic film.



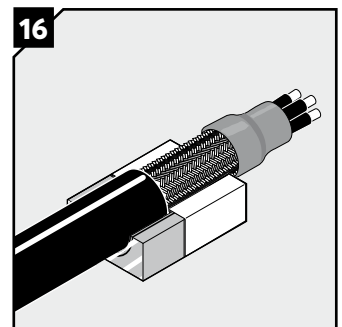
13 For spare modules, lubricate all inside sealing surfaces with Roxtec Lubricant. Do not lubricate the film.



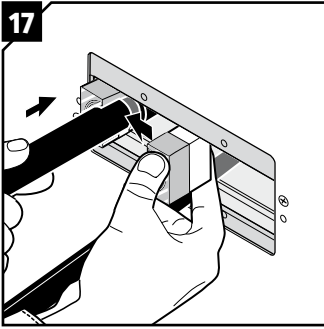
14 Lubricate the sealing surfaces of the solid modules.



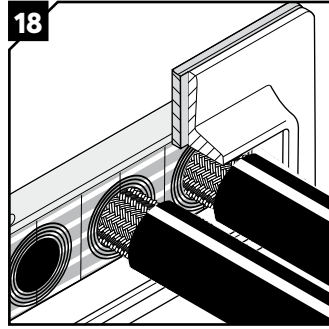
15 Remove the plastic film (B) on all modules. Keep the conductive tape (A) clean.



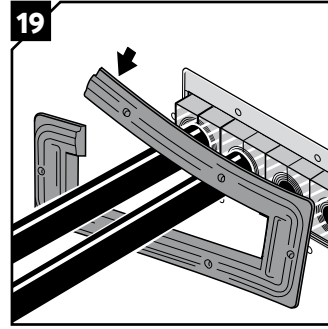
16 Correct placement of a cable shield in a CM ES module. The cable shield shall be visible outside the module.



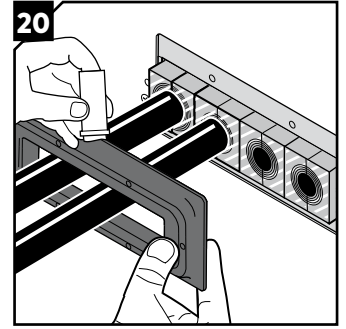
Insert the modules from the outside of the cabinet with the conductive tape inwards.



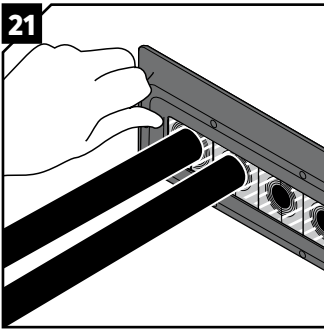
Cable shall be installed so that eventual any extra exposed cable shield runs into the cabinet.



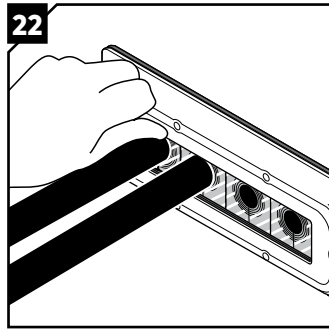
For openable frames, fit the compression gasket around the cables by using the pre-opened long side.



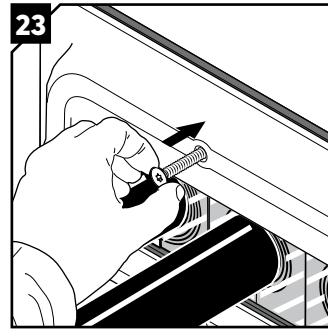
Thoroughly lubricate the compression rubber on both outside and inside surfaces with Roptec Lubricant.



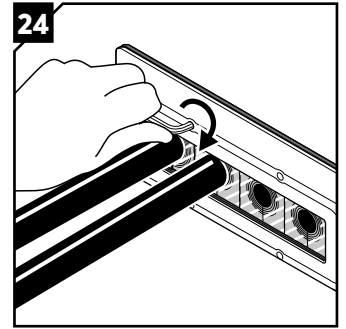
Position the compression rubber around the modules.



Position the front plate on the compression rubber.

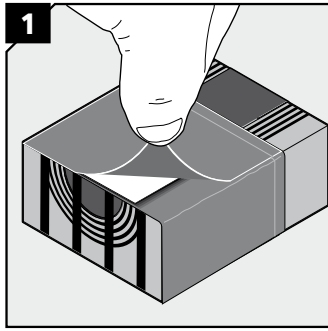


Insert the screws.

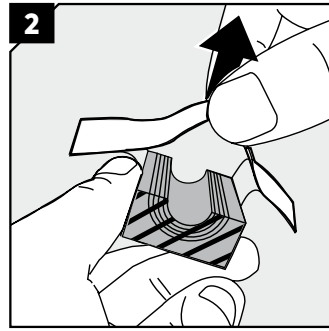


Tighten the torx screws alternately in small steps. Always start with the short sides. Recommended torque 8-10 Nm.

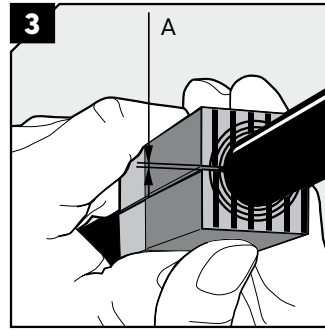
Installation of Roxtec CM PE modules



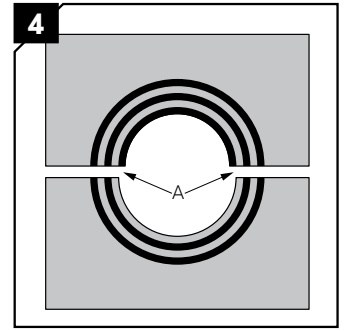
1 Lift the conductive tape.



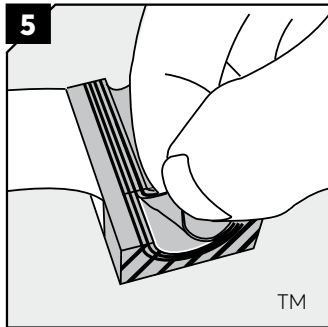
2 Remove the protection paper from all modules and fold out the conductive tape.



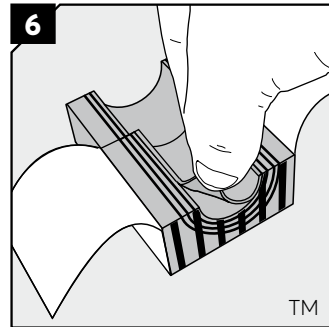
3 Achieve a gap of 0.1-1.0 mm (A) between the module halves by peeling off layers. The cable shield shall be in contact with the conductive tape.



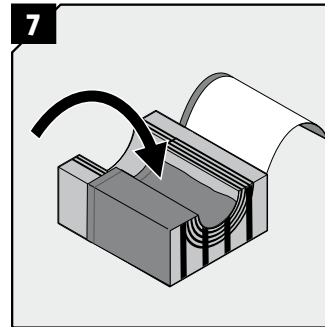
4 The number of layers may not differ (A) by more than one between the corresponding module halves.



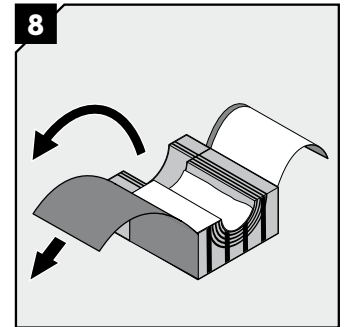
5 Adapt the layers that are in contact with the cable jacket.



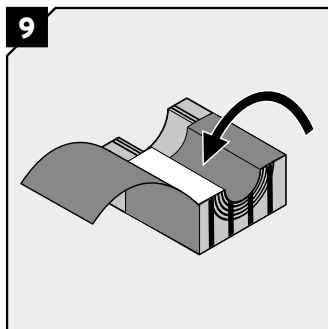
6 Adapt the layers that are in contact with the cable shield.



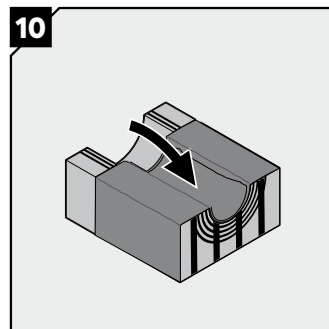
7 Fold the conductive tape tightly inside the module half from one side.



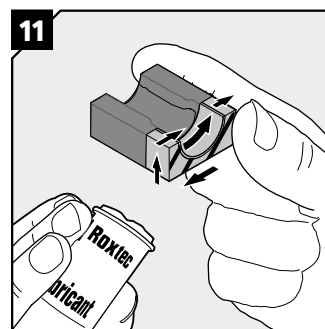
8 Separate the plastic film from the conductive tape and fold it to the side.



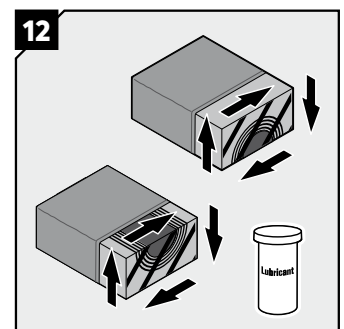
9 Fold the conductive tape on the other side tightly inside the module half.



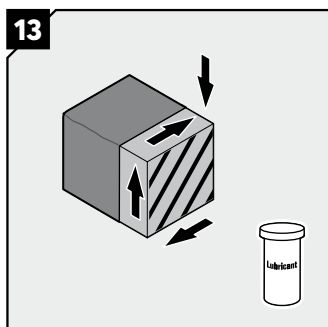
10 Fold the plastic film back inside the module half.



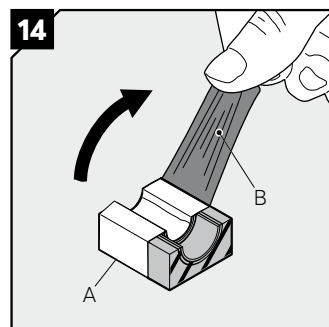
11 Lubricate the sealing surfaces of all modules. Do not lubricate the plastic film.



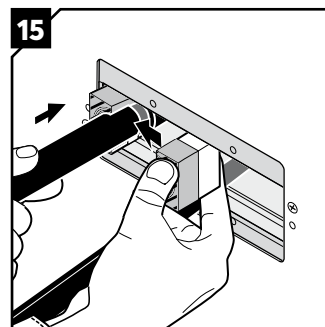
12 Lubricate the sealing surfaces of the spare modules. Do not remove the core.



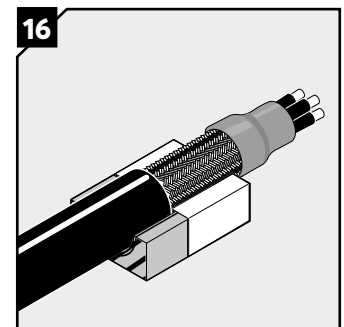
13 Lubricate the sealing surfaces of the solid modules.



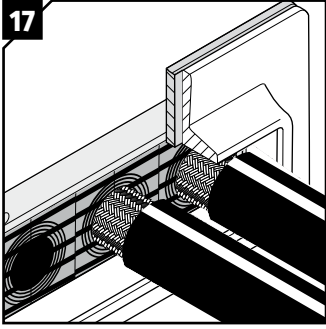
14 Remove the plastic film (B) on all modules. Keep the conductive tape (A) clean.



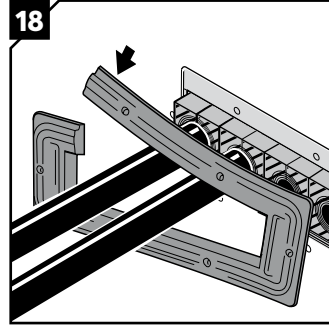
15 Insert the modules from the outside of the cabinet.



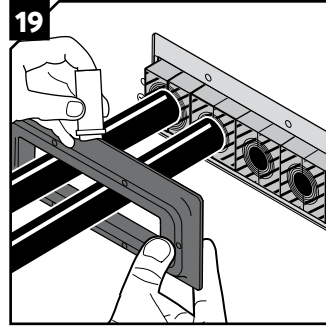
16 Correct placement of a cable in a CM PE module. The cable shield shall be visible outside the module.



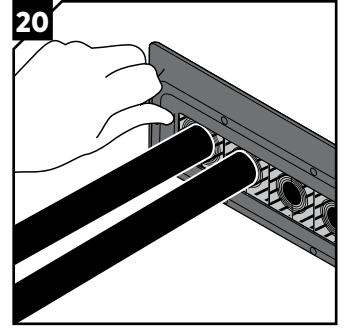
17
Cable shall be installed so that eventual any extra exposed cable shield runs into the cabinet.



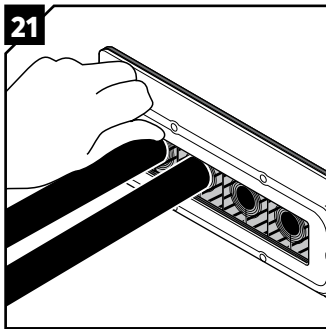
18
For openable frames, fit the compression gasket around the cables by using the pre-opened long side.



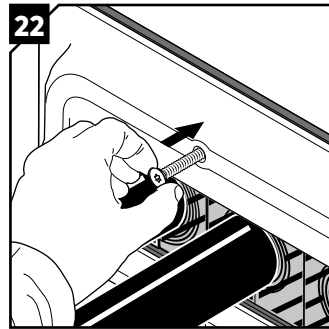
19
Thoroughly lubricate the compression rubber on both outside and inside surfaces with Roxel Lubricant.



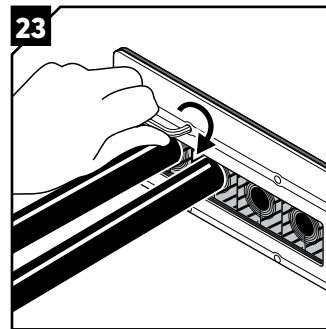
20
Position the compression rubber around the modules.



21
Position the front plate on the compression rubber.

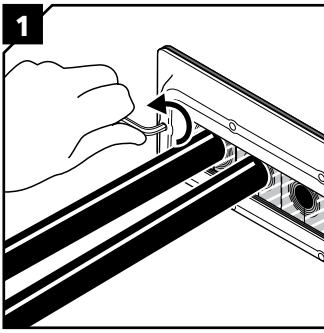


22
Insert the screws.

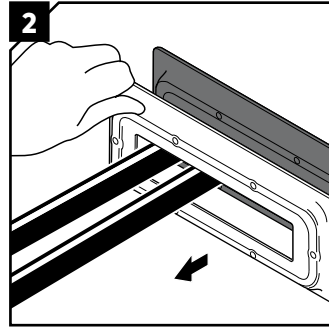


23
Tighten the torx screws alternately in small steps. Always start with the short sides. Recommended torque 8-10 Nm.

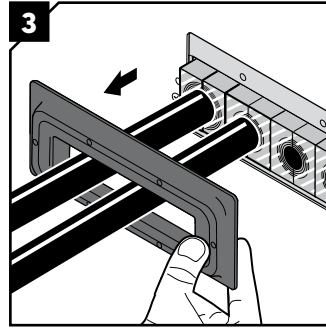
Disassembly and reinstallation



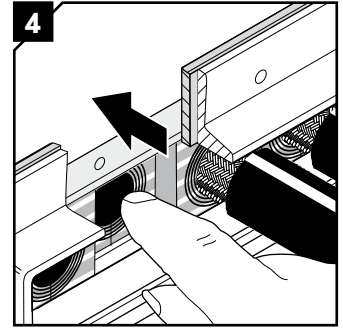
1 Untighten the torx screws alternately. Always start with the short sides.



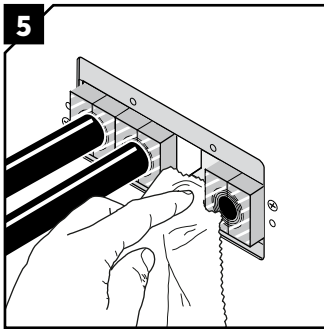
2 Remove the front plate.



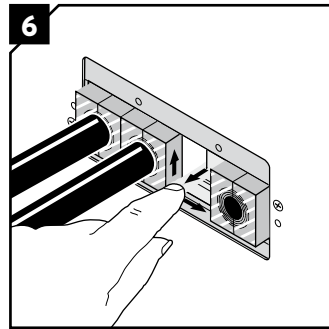
3 Remove the compression rubber.



4 Push out the modules needed from the back side.



5 The inside surfaces of the exposed packing space shall be clean and conductive.



6 Lubricate the inside surfaces, especially in the corners. Continue the reinstallation.

Note

- For optimum reliability, wait 24 hours or longer after installation before exposing the cables/pipes to strain or pressure.
- An incorrectly adapted module shall be replaced (layers shall not be reused).
- Cables shall go straight through the frame.
- Permitted Roxtec modules: CM ES and CM PE.
- Approvals or certificates may include amendments or limitations related to this application.
- The latest version of this and related documents are found at roxtec.com.
- Protection paper and plastic film must be removed on all modules.
- If the conductive tape is damaged, the module must be replaced.

DISCLAIMER

"The Roxtec cable entry sealing system ("the Roxtec system") is a modular-based system of sealing products consisting of different components. Each and every one of the components is necessary for the best performance of the Roxtec system. The Roxtec system has been certified to resist a number of different hazards. Any such certification, and the ability of the Roxtec system to resist such hazards, is dependent on all components that are installed as a part of the Roxtec system. Thus, the certification is not valid and does not apply unless all components installed as part of the Roxtec system are manufactured by or under license from Roxtec ("authorized manufacturer"). Roxtec gives no performance guarantee with respect to the Roxtec system, unless (I) all components installed as part of the Roxtec system are manufactured by an authorized manufacturer and (II) the purchaser is in compliance with (a), and (b), below.
 (a) During storage, the Roxtec system or part thereof, shall be kept indoors in its original packaging at room temperature.
 (b) Installation shall be carried out in accordance with Roxtec installation instructions in effect from time to time.

The product information provided by Roxtec does not release the purchaser of the Roxtec system, or part thereof, from the obligation to independently determine the suitability of the products for the intended process, installation and/or use.

Roxtec gives no guarantee for the Roxtec system or any part thereof and assumes no liability for any loss or damage whatsoever, whether direct, indirect, consequential, loss of profit or otherwise, occurred or caused by the Roxtec systems or installations containing components not manufactured by an authorized manufacturer and/or occurred or caused by the use of the Roxtec system in a manner or for an application other than for which the Roxtec system was designed or intended.

Roxtec expressly excludes any implied warranties of merchantability and fitness for a particular purpose and all other express or implied representations and warranties provided by statute or common law. User determines suitability of the Roxtec system for intended use and assumes all risk and liability in connection therewith. In no event shall Roxtec be liable for indirect, consequential, punitive, special, exemplary or incidental damages or losses.*



Roxtec International AB
 Box 540, 371 23 Karlskrona, SWEDEN
 PHONE +46 455 36 67 00, FAX +46 455 820 12
 EMAIL info@roxtec.com, www.roxtec.com