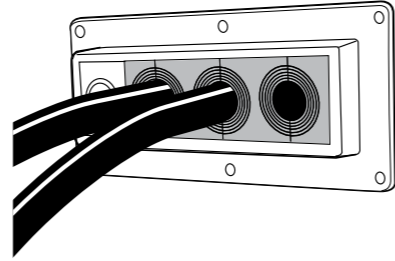
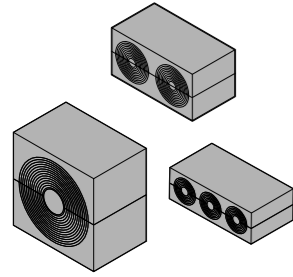


# Installation instructions

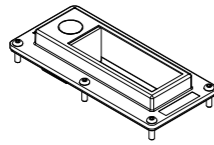
## Roxtec ComSeal™



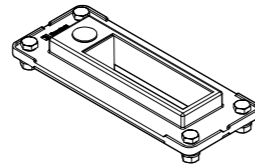
### Components



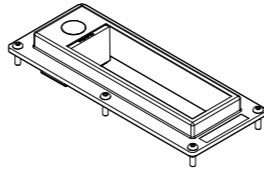
Sealing modules



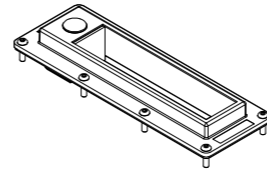
Comseal frame 10



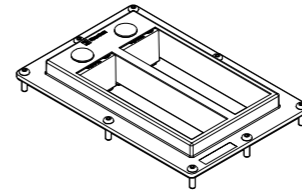
Comseal frame 12



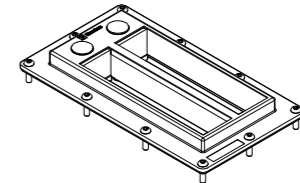
Comseal frame 15



Comseal frame 16



Comseal frame 30



Comseal frame 32



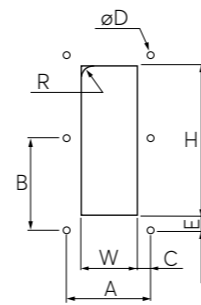
Roxtec Assembly Gel

### Technical data

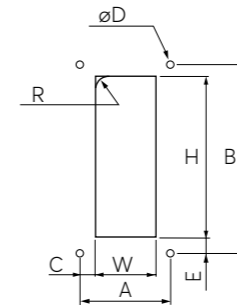
For modules.

Name	External dimensions WxHxD (mm)	For cable/pipe Ø (mm)
CM 15w40	40 x 15 x 30	3.5 – 10.5
CM 20	20 x 20 x 30	4 – 14.5
CM 20w40	40 x 20 x 30	3.5 – 16.5
CM 30	30 x 30 x 30	10 – 25
CM 30w40	40 x 30 x 30	10 – 25
CM 40	40 x 40 x 30	21.5 – 34.5
CM 40 10–32	40 x 40 x 30	9.5 – 32.5
CM 50	50 x 50 x 30	28 – 44

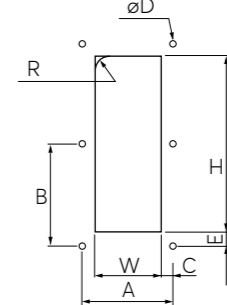
### Aperture



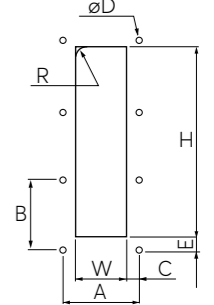
ComSeal 10



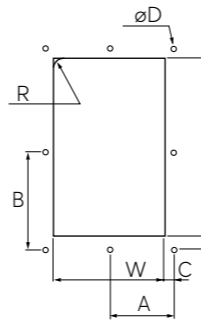
ComSeal 12



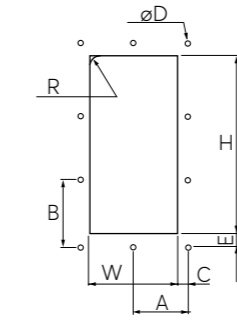
ComSeal 15



ComSeal 16



ComSeal 30



ComSeal 32

### Tools

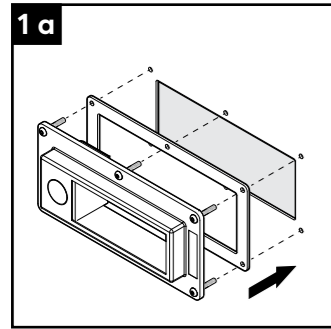
- Allen key (not included)

### Note

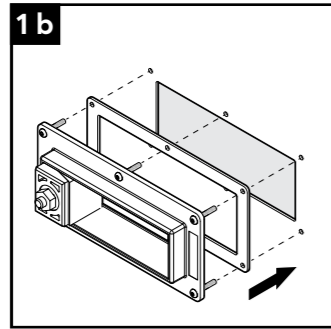
- For optimum reliability, wait 24 hours or longer after installation before exposing the cables/pipes to strain or pressure.
- To be used together with CM modules.
- To simplify installation of Roxtec ComSeal™ 30 and 32, it is recommended to fill both openings before tightening the compression units.
- Cables shall go straight through the frame.
- For Roxtec ComSeal™ 12, a standard FL 21 aperture can be used.
- Approvals or certificates may include amendments or limitations related to this application.
- The latest version of this and related documents are found at roxtec.com.

	H	W	R	ØD	A	B	C	E
ComSeal 10	149±1	56±1	≤ 10	5.5	68.5±0.5	80.5±0.5	6.25±1	6±1
ComSeal 12	169±1	56±1	≤ 10	9	62±0.5	193±0.5	3±1	12±1
ComSeal 15	195±1	61±1	≤ 10	5.5	78.5±0.5	105.5±0.5	9±1	8±1
ComSeal 16	209±1	56±1	≤ 10	5.5	68.5±0.5	73.7±0.5	6.25±1	6±1
ComSeal 30	195±1	120±1	≤ 10	5.5	71.5±0.5	109.5±0.5	11±1	12±1
ComSeal 32	209±1	103±1	≤ 10	5.5	61.5±0.5	76.3±0.5	10±1	10±1

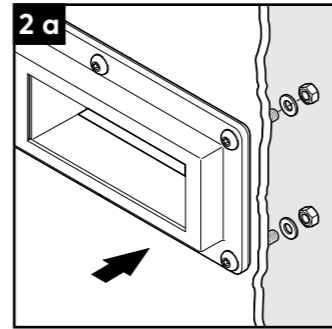
## Installation



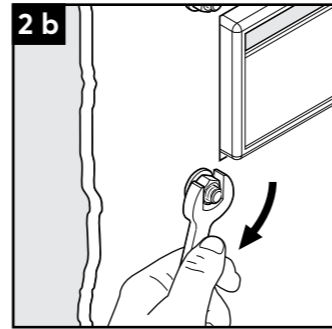
Insert the frame into the aperture. Place the gasket between the frame and the structure.



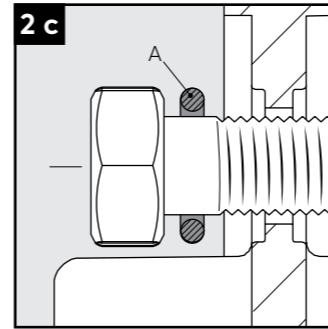
Alternatively, insert the frame with the compression nut facing outwards.



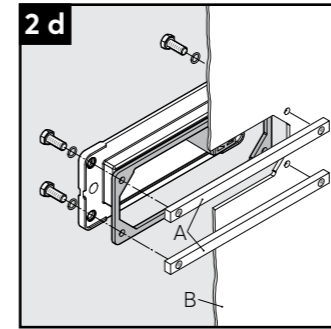
Attach the frame using the enclosed fasteners.



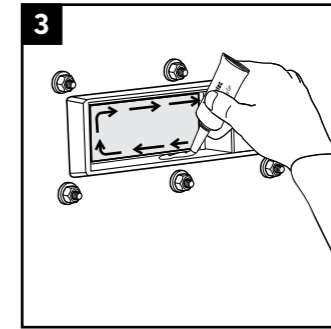
Tighten the nuts firmly, crosswise and in small steps.



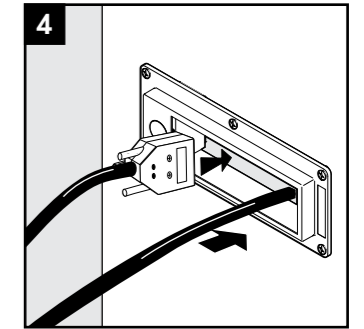
For ComSeal 12, the O-ring (A) shall be mounted under the bolt head.



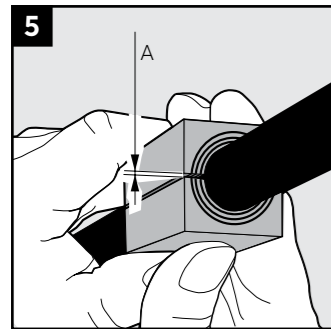
For ComSeal 12, counter frames with art. no. 2CV0001020219 (A) shall be used if the structure (B) is thinner than 2 mm.



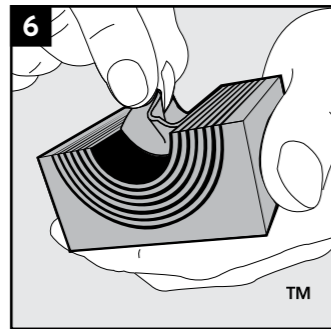
Lubricate the sealing surfaces of the frame with Roxtec Assembly Gel, especially in the corners.



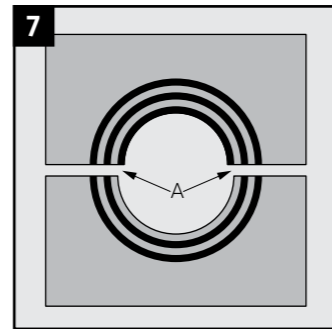
Insert the cables through the frame.



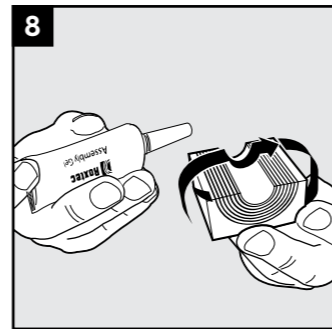
Achieve a 0.1-1.0 mm gap (A) between the two module halves when held against the cable/pipe.



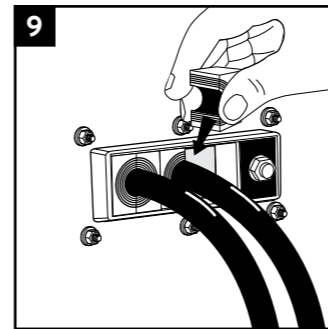
Adapt the modules by peeling off layers.



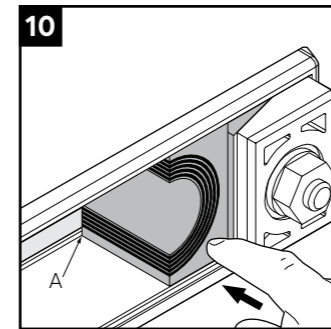
The number of layers may not differ (A) by more than one between the corresponding module halves.



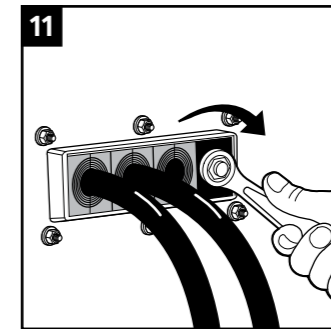
Lubricate all sealing surfaces on the modules.



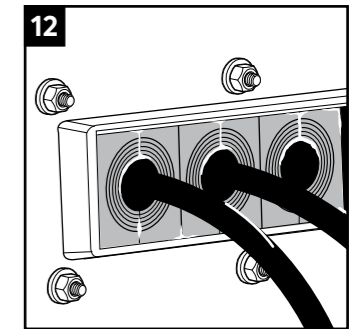
Insert the modules from the same side as the compression nut, according to the packing plan. If possible, start with the largest modules.



The modules shall rest against the edge (A).

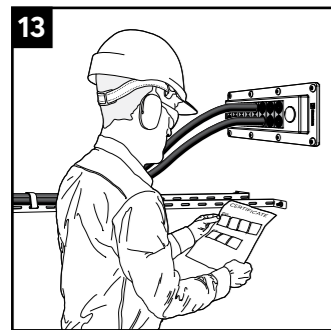


Tighten the nut firmly to max. 10 Nm.

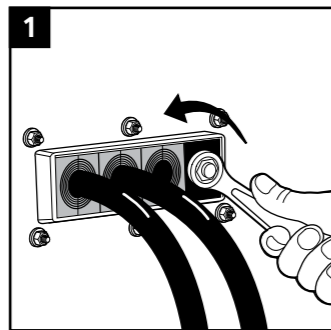


Excess lubricant is a sign of good compression.

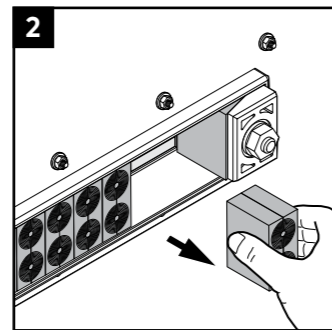
## Disassembly and reinstallation



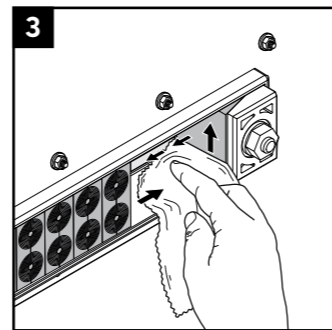
Make a final check! Different approvals or certificates may include amendments or limitations related to this application.



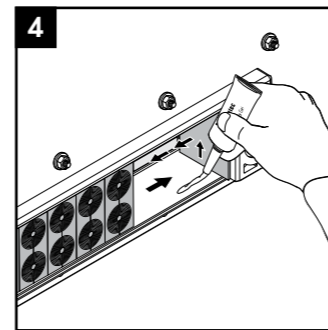
Untighten the nut.



Remove modules needed.



Clean the exposed sealing surfaces.



Lubricate the exposed sealing surfaces. Continue the reinstallation.

### Disclaimer

"The Roxtec cable entry sealing system ("the Roxtec system") is a modular-based system of sealing products consisting of different components. Each and every one of the components is necessary for the best performance of the Roxtec system. The Roxtec system has been certified to resist a number of different hazards. Any such certification, and the ability of the Roxtec system to resist such hazards, is dependent on all components that are installed as a part of the Roxtec system. Thus, the certification is not valid and does not apply unless all components installed as part of the Roxtec system are manufactured by or under license from Roxtec ("authorized manufacturer"). Roxtec gives no performance guarantee with respect to the Roxtec system, unless (I) all components installed as part of the Roxtec system are manufactured by an authorized manufacturer and (II) the purchaser is in compliance with (a), and (b), below.

(a) During storage, the Roxtec system or part thereof, shall be kept indoors in its original packaging at room temperature.

(b) Installation shall be carried out in accordance with Roxtec installation instructions in effect from time to time.

The product information provided by Roxtec does not release the purchaser of the Roxtec system, or part thereof, from the obligation to independently determine the suitability of the products for the intended process, installation and/or use.

Roxtec gives no guarantee for the Roxtec system or any part thereof and assumes no liability for any loss or damage whatsoever, whether direct, indirect, consequential, loss of profit or otherwise, occurred or caused by the Roxtec systems or installations containing components not manufactured by an authorized manufacturer and/or occurred or caused by the use of the Roxtec system in a manner or for an application other than for which the Roxtec system was designed or intended. Roxtec expressly excludes any implied warranties of merchantability and fitness for a particular purpose and all other express or implied representations and warranties provided by statute or common law. User determines suitability of the Roxtec system for intended use and assumes all risk and liability in connection therewith. In no event shall Roxtec be liable for indirect, consequential, punitive, special, exemplary or incidental damages or losses."



Roxtec International AB  
Box 540, 371 23 Karlskrona, SWEDEN  
+46 455 36 67 00, info@roxtec.com  
www.roxtec.com