

## General information

Installation and maintenance:

For European member countries of GENELEC, shall standard EN 60079-14 and EN 60079-17 be considered.

For countries members of IECEx shall standard IEC 60079-14 and IEC 60079-17 be considered.

For other countries shall applicable national regulation be considered.

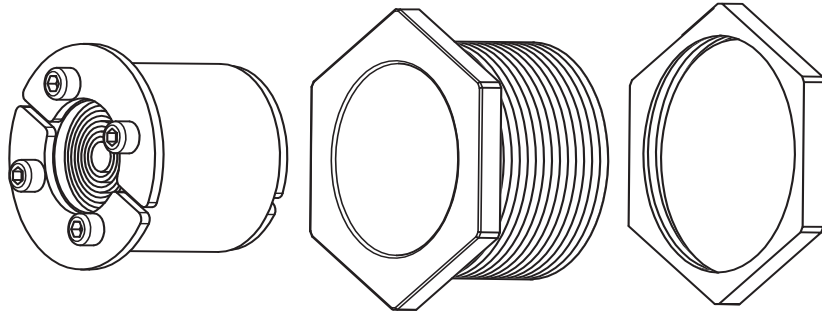
The products fulfill the following standards:

EN 60079-0:2012, EN 60079-31:2009

IEC 60079-0:2011, IEC 60079-31:2008



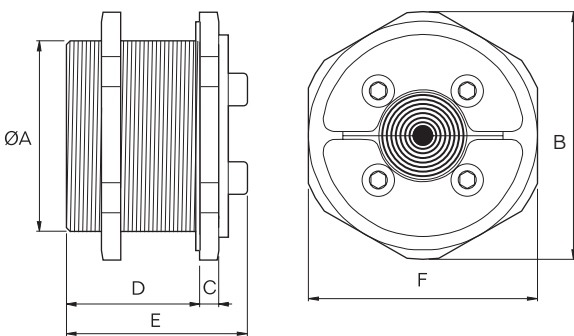
## Installation instructions Cable transit device C R S T Ex



## Aperture dimensions

Type	C R S T 25 Ex		C R S T 31 Ex		C R S T 43 Ex		R S T 50 Ex	
	(mm)	(in)	(mm)	(in)	(mm)	(in)	(mm)	(in)
Hole cut Ø	32-33	1.260-1.299	40-41	1.575-1.614	50-52	1.969-2.047	63-65	2.480-2.559
Wall thickness	1-10	0.039-0.394	1-8	0.039-0.315	1-28	0.039-1.102	1-26	0.039-1.024

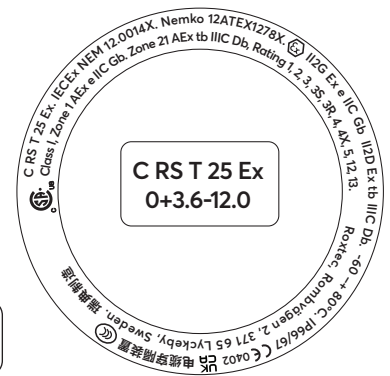
## Dimensions



## Label:

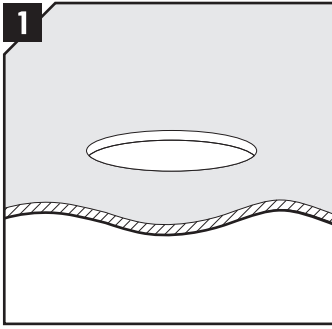
Year of manufacture →

XXXX

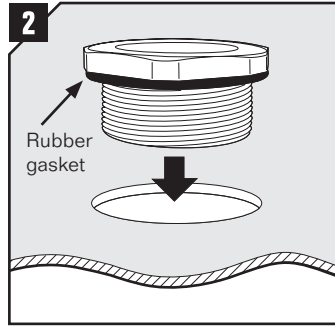


Type	C R S T 25 Ex		C R S T 31 Ex		C R S T 43 Ex		R S T 50 Ex	
	(mm)	(in)	(mm)	(in)	(mm)	(in)	(mm)	(in)
Cable range	0+3.6-12	0+0.142-0.472	0+4-17	0+0.157-0.669	0+4-23	0+0.157-0.906	0+8-30	0+0.315-1.181
Thread	M32x1.5	M32x1.5	M40x1.5	M40x1.5	M50x1.5	M50x1.5	M63x1.5	M63x1.5
A	32	1.260	40	1.575	50	1.969	63	2.480
B	39	1.535	50	1.969	65	2.559	78	3.071
C	4	0.157	5	0.197	5	0.197	6	0.236
D	16	0.630	15	0.591	35	1.378	34	1.339
E	25	0.984	25	0.984	48	1.890	48	1.890
F	36	1.417	46	1.811	60	2.362	70	2.756

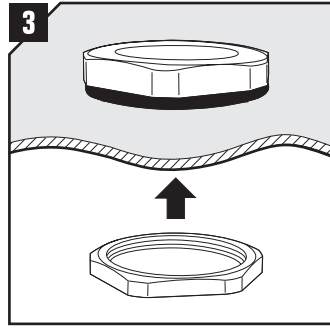
# Installation



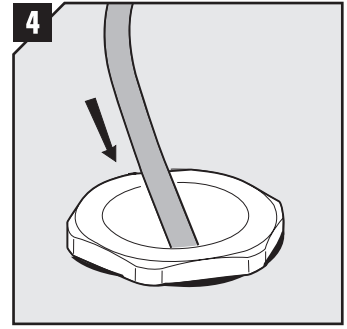
1 Make a hole for the sleeve, according to the recommended hole cut. See table above.



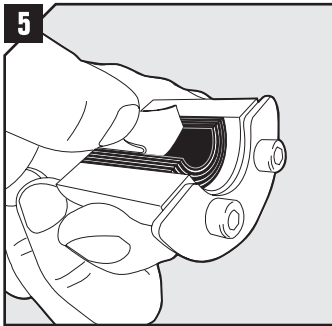
2 Make sure the rubber gasket is in place and insert the sleeve.



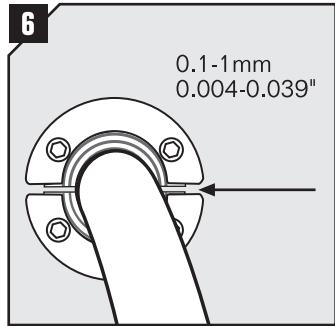
3 Fit the nut from inside, tighten and fasten the sleeve.



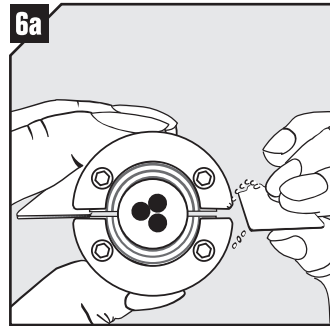
4 Insert the cable through the sleeve.



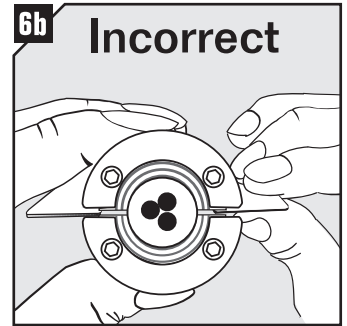
5 Adapt the seal to the cable by removing layers from the halves. The halves may not differ by more than one layer.



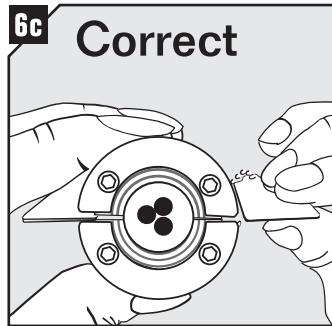
6 Achieve a 0.1-1 mm gap between the halves when testing against the cable.



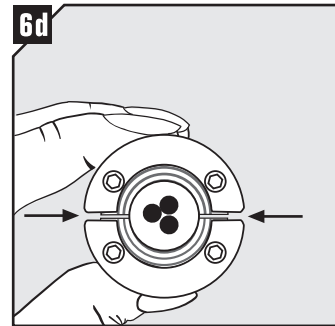
6a Measure the gap with the Ex Gap Gauge by holding blade one in one gap and checking the other with blade two.



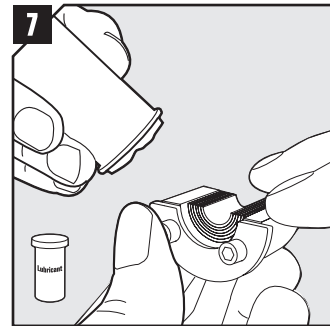
6b **Incorrect**  
If the gap is too big, the gauge will slip in easily.



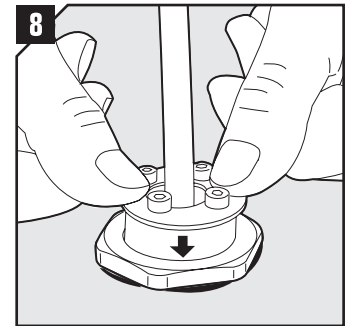
6c **Correct**  
If the gap is correct, there will be no room for blade two.



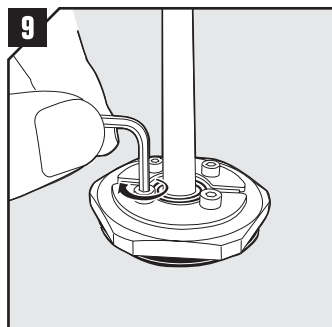
6d When checking without the gauge, there shall be a visual gap.



7 Lubricate thoroughly on the inside surfaces and sparsely on the outside of the seal.



8 Place the seal around the cable and insert it into the sleeve.



9 Tighten the bolts crosswise. The seal will compress and seal the transit.

Type:	Max torque* (Nm)
C R S T 25 Ex	1
C R S T 31 Ex	1
C R S T 43 Ex	4
C R S T 50 Ex	4

\* The torque depends on several things, e.g. cable or pipe size, amount of lubricant used, sleeve size or material in the cable sheet, etc.

## Disassembly

Reverse order

The following conditions for safe use shall be considered according to the ATEX EC Type Examination certificate and the IECEx Certificate of Conformity:

1. For maintaining the explosion protection, the installation instructions that accompany the products shall be considered.
2. Only cable for fixed installation is permitted for the cable entry.
3. For optimum reliability wait 24 hours or longer after installation before exposing the cables/pipes to strain or pressure.

## Note

- An incorrectly adapted seal shall be replaced (layers shall not be reused).
- Temperature range -60 to +80 °C.
- You find EC Type examination certificate at [www.roxtec.com](http://www.roxtec.com), or contact your local Roxtec supplier.

## Disclaimer

The Roxtec cable and pipe entry sealing system (the Roxtec system) is a modular-based system of sealing products consisting of different components. Each and every one of the components is necessary for the best performance of the Roxtec system. The Roxtec system has been certified to resist a number of different hazards. Any such certification, and the ability of the Roxtec system to resist such hazards, is dependent on all components that are installed as a part of the Roxtec system. Thus, the certification is not valid and does not apply unless all components installed as part of the Roxtec system are manufactured by or under license from Roxtec (authorized manufacturer). Roxtec gives no performance guarantee with respect to the Roxtec system, unless (I) all components installed as part of the Roxtec system are manufactured by an authorized manufacturer and (II) the purchaser is in compliance with (a), and (b), below.

(a) During storage, the Roxtec system or part thereof, shall be kept indoors in its original packaging at room temperature.

(b) Installation shall be carried out in accordance with Roxtec installation instructions in effect from time to time.

The product information provided by Roxtec does not release the purchaser of the Roxtec system, or part thereof, from the obligation to independently deter-

mine the suitability of the products for the intended process, installation and/or use.

Roxtec gives no guarantee for the Roxtec system or any part thereof and assumes no liability for any loss or damage whatsoever, whether direct, indirect, consequential, loss of profit or otherwise, occurred or caused by the Roxtec systems or installations containing components not manufactured by an authorized manufacturer and/or occurred or caused by the use of the Roxtec system in a manner or for an application other than for which the Roxtec system was designed or intended.

Roxtec expressly excludes any implied warranties of merchantability and fitness for a particular purpose and all other express or implied representations and warranties provided by statute or common law. User determines suitability of the Roxtec system for intended use and assumes all risk and liability in connection therewith. In no event shall Roxtec be liable for indirect, consequential, punitive, special, exemplary or incidental damages or losses.

The Roxtec products are offered and sold in accordance with the conditions of the Roxtec General Terms of Sales. The latest version of the Roxtec General Terms of Sales can be found and downloaded from [roxtec.com/general-terms-of-sales](http://roxtec.com/general-terms-of-sales).



Roxtec International AB  
Box 540, 371 23 Karlskrona, SWEDEN  
PHONE +46 455 36 67 00, FAX +46 455 820 12  
EMAIL [info@roxtec.com](mailto:info@roxtec.com), [www.roxtec.com](http://www.roxtec.com)