

XHEZ.W-J-8069 - Through-penetration Firestop Systems

Design/System/Construction/Assembly Usage Disclaimer

- Authorities Having Jurisdiction should be consulted in all cases as to the particular requirements covering the installation and use of UL Certified products, equipment, system, devices, and materials.
- Authorities Having Jurisdiction should be consulted before construction.
- Fire resistance assemblies and products are developed by the design submitter and have been investigated by UL for compliance with applicable requirements. The published information cannot always address every construction nuance encountered in the field.
- When field issues arise, it is recommended the first contact for assistance be the technical service staff provided by the product manufacturer noted for the design. Users of fire resistance assemblies are advised to consult the general Guide Information for each product category and each group of assemblies. The Guide Information includes specifics concerning alternate materials and alternate methods of construction.
- Only products which bear UL's Mark are considered Certified.

XHEZ - Through-penetration Firestop Systems

XHEZ7 - Through-penetration Firestop Systems Certified for Canada

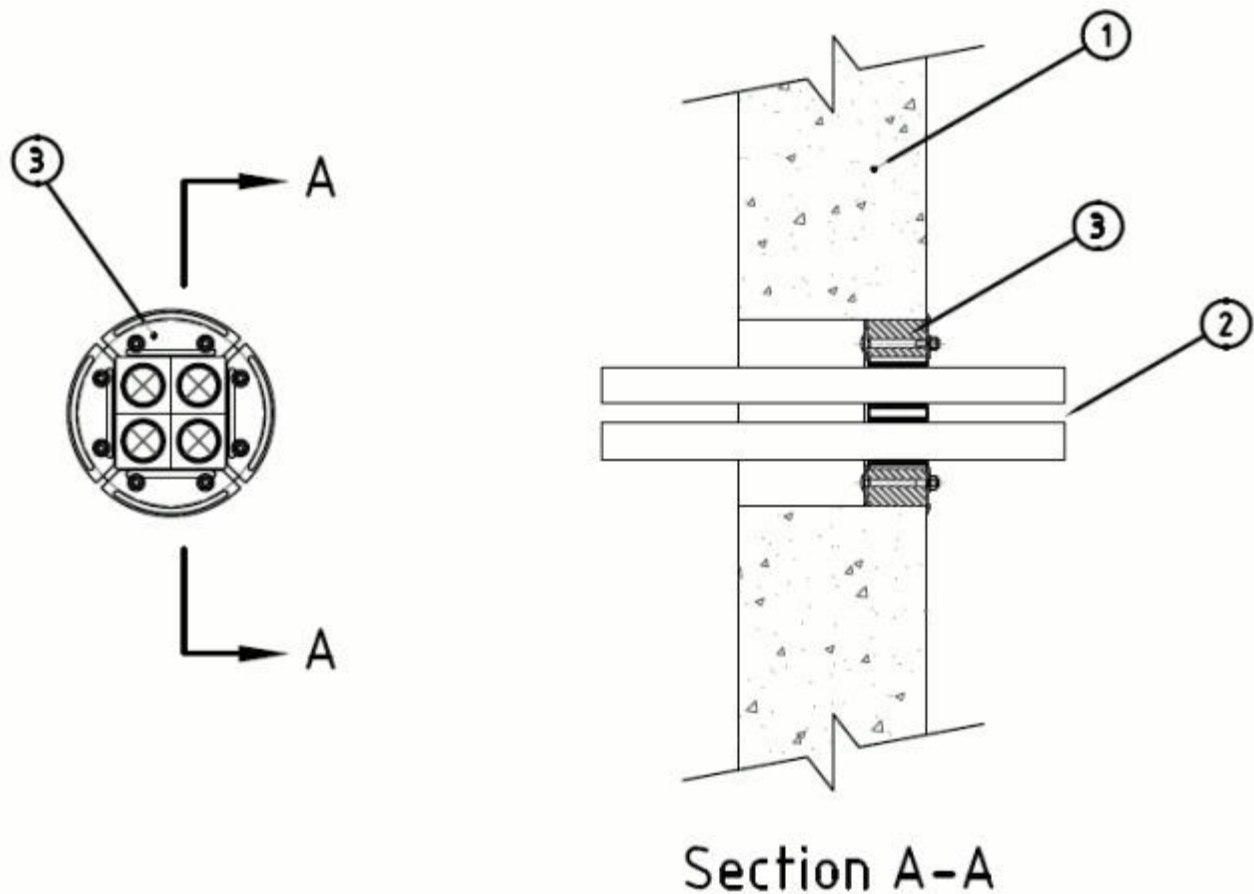
[See General Information for Through-penetration Firestop Systems](#)

[See General Information for Through-penetration Firestop Systems Certified for Canada](#)

System No. W-J-8069

February 26, 2018

ANSI/UL1479 (ASTM E814)	CAN/ULC S115
F Rating — 2 Hr	F Rating — 2 Hr
T Ratings — 0 and 3/4 Hr (See Item 3)	FT Ratings — 0 and 3/4 Hr (See Item 3)
	FH Rating — 2 Hr
	FTH Ratings — 0 and 3/4 Hr (See Item 3)



1. **Wall Assembly** — Min 4-1/2 in. (116 mm) thick reinforced lightweight or normal weight (100-150 pcf or 1600-2400 kg/m³) concrete. Wall may also be constructed of any UL Classified solid core **Concrete Blocks***. Max diam of opening is 8 in. (202 mm).

See **Concrete Blocks** (CAZT) in the Fire Resistance Directory for names of manufacturers.

2. **Through Penetrants** — Within the loading area for each firestop device, the penetrants may represent a 0 to 100 percent visual fill (max one penetrant per device module). Penetrants to be rigidly supported on both sides of wall assembly. Any combination of the following types and sizes of penetrants may be used:

A. **Cable*** — Max 1/C, 250 kcmil (or smaller) copper conductor shielded or unshielded power cable with polyvinyl chloride (PVC) jacket and ethylene-propylene rubber (EPR) insulation.

B. **Conduit** — Nom 3/4 in. (19 mm) diam (or smaller) rigid steel conduit.

3. **Firestop Device*** — Circular R transit firestop device kit for use in pre-drilled or preformed openings, sized to the OD of the device. Each device consists of a round transit frame having a square packing space for the penetrants and device modules. The device kit includes multiple insert module halves with removable elastomeric sheets. Two module halves are fit around each through penetrant within the opening and the sheets of the modules halves are removed one by one until a gap of 0 to 1 mm is formed at the mating surfaces of the module halves. After installation of the modules into the device, the bolts of the transit frame are tightened to form an effective seal around the cables and a compression fit of the device within the opening. The device is intended to be installed into the opening flush with one side of wall, in accordance with the accompanying installation instructions.

ROXTEC INTERNATIONAL AB — Types R-70, R-75, R-100, R-125, R-127, R-150, R-200.

ROXTEC INTERNATIONAL AB — Types R-70 EMC, R-75 EMC, R-100 EMC, R-125 EMC, R-127 EMC, R-150 EMC, R-200 EMC.

Where RM ES B or RM PE B elastomeric sealing modules are used, the T, FT and FTH Ratings are 0 Hr.

*** Indicates such products shall bear the UL or cUL Certification Mark for jurisdictions employing the UL or cUL Certification (such as Canada), respectively.**

Last Updated on 2018-02-26

The appearance of a company's name or product in this database does not in itself assure that products so identified have been manufactured under UL's Follow-Up Service. Only those products bearing the UL Mark should be considered to be Certified and covered under UL's Follow-Up Service. Always look for the Mark on the product.

UL permits the reproduction of the material contained in the Online Certification Directory subject to the following conditions: 1. The Guide Information, Assemblies, Constructions, Designs, Systems, and/or Certifications (files) must be presented in their entirety and in a non-misleading manner, without any manipulation of the data (or drawings). 2. The statement "Reprinted from the Online Certifications Directory with permission from UL" must appear adjacent to the extracted material. In addition, the reprinted material must include a copyright notice in the following format: "© 2021 UL LLC"