

XHEZ.W-J-3251 - Through-penetration Firestop Systems

Design/System/Construction/Assembly Usage Disclaimer

- Authorities Having Jurisdiction should be consulted in all cases as to the particular requirements covering the installation and use of UL Certified products, equipment, system, devices, and materials.
- Authorities Having Jurisdiction should be consulted before construction.
- Fire resistance assemblies and products are developed by the design submitter and have been investigated by UL for compliance with applicable requirements. The published information cannot always address every construction nuance encountered in the field.
- When field issues arise, it is recommended the first contact for assistance be the technical service staff provided by the product manufacturer noted for the design. Users of fire resistance assemblies are advised to consult the general Guide Information for each product category and each group of assemblies. The Guide Information includes specifics concerning alternate materials and alternate methods of construction.
- Only products which bear UL's Mark are considered Certified.

XHEZ - Through-penetration Firestop Systems

XHEZ7 - Through-penetration Firestop Systems Certified for Canada

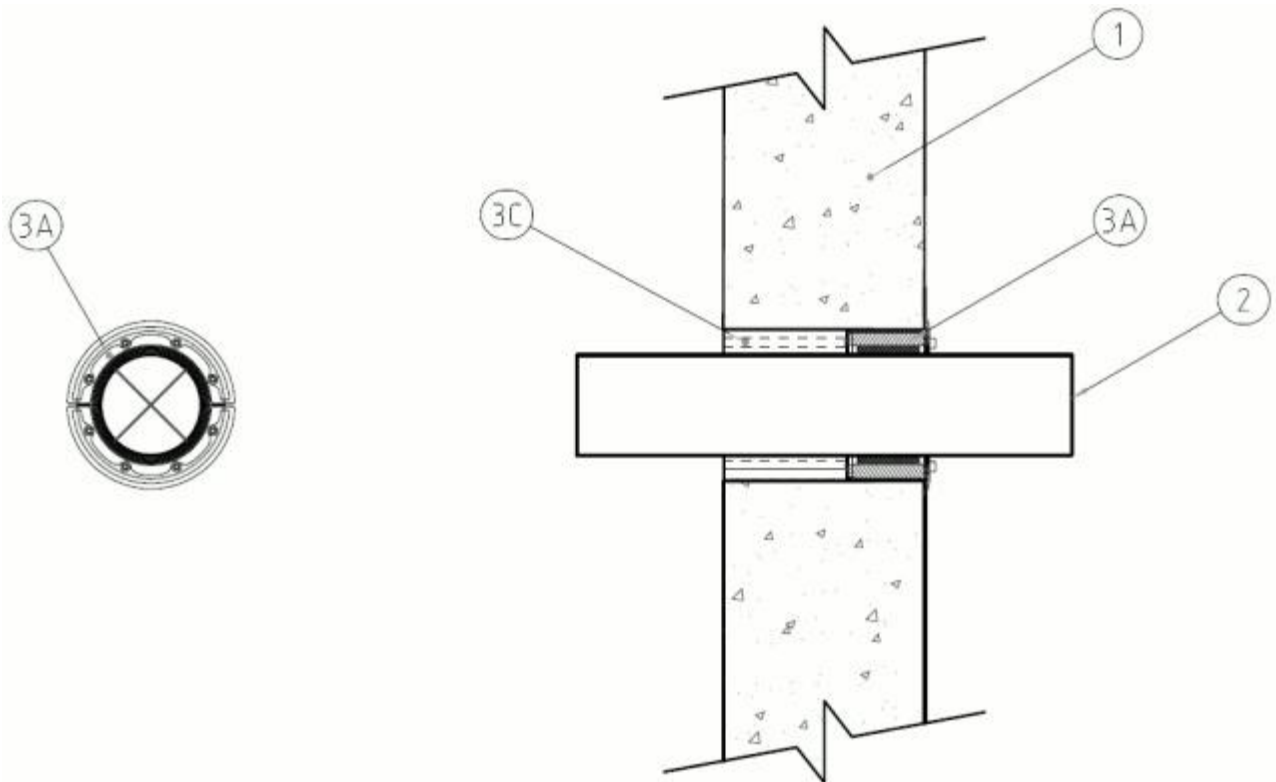
[See General Information for Through-penetration Firestop Systems](#)

[See General Information for Through-penetration Firestop Systems Certified for Canada](#)

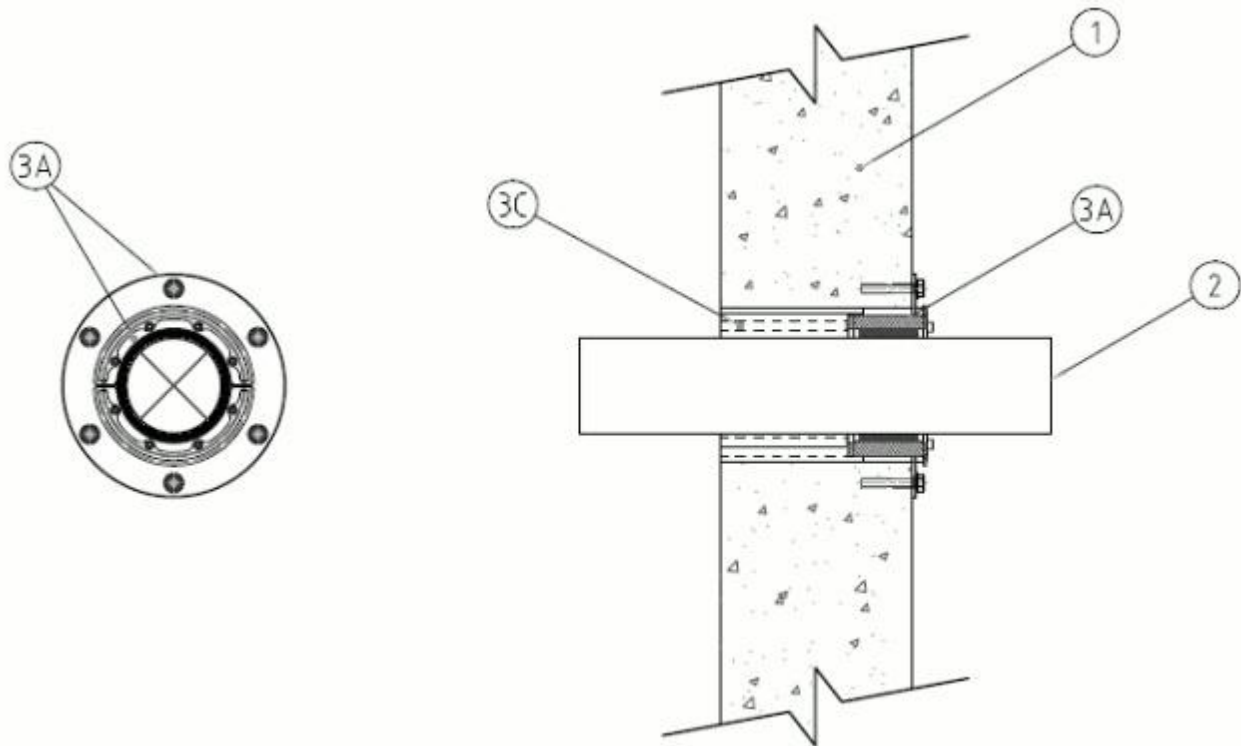
System No. W-J-3251

February 26, 2018

ANSI/UL1479 (ASTM E814)	CAN/ULC S115
F Rating —2 Hr	F Rating — 2 Hr
T Rating — 3/4 Hr	FT Rating — 3/4 Hr
	FH Rating — 2 Hr
	FTH Rating —3/4 Hr



CONFIGURATION A



CONFIGURATION B

1. **Wall Assembly** — Min 5 in. (127 mm) thick lightweight or normal weight (100-150 pcf or 1600-2400 kg/m³) concrete. Wall may also be constructed of any UL Classified **Concrete Blocks***. Max diameter of opening is 6 in. (152 mm) (RS-150 Device).

See **Concrete Blocks** (CAZT) in the Fire Resistance Directory for names of manufacturers.

2. **Cables** — Within the loading area for each firestop device module the cables may represent a 0 to 100 percent visual fill. Cables to be rigidly supported on both sides of wall assembly. Any combination of the following types and sizes of cables may be used:

A. Max 3/C No. 750 kcmil MC type copper conductor power cable with Ethylene Propylene Rubber (EPR) insulation and PVC jacket materials.

3. **Firestop System** — The firestop system shall consist of the following:

A. **Firestop Devices*** — Circular firestop device for use in predrilled or preformed openings intended to be installed in accordance with accompanying installation instructions. The firestop devices shall be inserted into the opening and friction fit on one side of the wall assembly (Configuration A). Each device consists of circular elastomeric inserts, removable elastomeric sheets formed into a semicircle and steel compression plates. The elastomeric sheets of the device are removed one by one until a tight fit is present around the through penetrant. After installation of the device into the opening, the nuts of the compression plate are tightened to form an effective seal around the penetrating item(s) Alternatively, the firestop device may be inserted into its corresponding steel flanged sleeve (Configuration B) and secured to the concrete wall assembly by means of 5/16 in. or 3/8 in. (8 or 10 mm) diam by min 1-3/4 in. (44 mm) long steel anchor bolts in conjunction with nuts and steel washers through the pre-drilled holes spaced at max 90° intervals in the device frame mounting flange.

ROXTEC INTERNATIONAL AB — Types RS-23, RS-25, RS-31, RS-43, RS-50, RS-68, RS-75, RS-100, RS-125, RS-150 and their corresponding flanges SLFRS23, SLFRS25, SLFRS31, SLFRS43, SLFRS50, SLFRS68, SLFRS75, SLFRS100, SLFRS125 and SLFRS150.

Types RS ES-23, RS ES-25, RS ES-31, RS ES-43, RS ES-50, RS ES-68, RS ES-75, RS ES-100, RS ES-125, RS ES-150 and their corresponding flanges SLFRS23, SLFRS25, SLFRS31, SLFRS43, SLFRS50, SLFRS68, SLFRS75, SLFRS100, SLFRS125 and SLFRS150.

Types RS PE-23, RS PE-25, RS PE-31, RS PE-43, RS PE-50, RS PE-68, RS PE-75, RS PE-100, RS PE-125, RS PE-150 and their corresponding flanges SLFRS23, SLFRS25, SLFRS31, SLFRS43, SLFRS50, SLFRS68, SLFRS75, SLFRS100, SLFRS125 and SLFRS150.

B. **Silicone RTV Sealant** — (Not Shown) — A min 1/4 in. (6 mm) diam bead of silicone RTV sealant shall be applied as a gasket between the device frame mounting flange and the wall. The sealant bead shall be located between the edge of the opening and the line of fasteners around the entire perimeter of the opening.

B1. **Butyl Rubber Gasket** — (Not Shown) — As an alternate to the RTV sealant, a nom 5/16 in. (8 mm) thick by 5/16 in. (8 mm) wide butyl rubber gasket with self-adhesive may be installed around the mounting flange. The gasket shall be recessed in approx 1/2 in. (13 mm) and 2 in. (51 mm) from the perimeter of the device frame mounting flange such that the continuous gasket bracket the line of fasteners along each side of the device.

C. **Packing Material** — Pieces of min 3 in. (76 mm) thick 2.76 pcf (44 kg/m³) density mineral wool batt insulation cut to line four sides of through opening within wall cavity. Pieces cut to length and tightly friction-fit between framing of wall opening and cables and in-between cables and made flush with wall surface.

*** Indicates such products shall bear the UL or cUL Certification Mark for jurisdictions employing the UL or cUL Certification (such as Canada), respectively.**

Last Updated on 2018-02-26

The appearance of a company's name or product in this database does not in itself assure that products so identified have been manufactured under UL's Follow-Up Service. Only those products bearing the UL Mark should be considered to be Certified and covered under UL's Follow-Up Service. Always look for the Mark on the product.

UL permits the reproduction of the material contained in the Online Certification Directory subject to the following conditions: 1. The Guide Information, Assemblies, Constructions, Designs, Systems, and/or Certifications (files) must be presented in their entirety and in a non-misleading manner, without any manipulation of the data (or drawings). 2. The statement "Reprinted from the Online Certifications Directory with permission from UL" must appear adjacent to the extracted material. In addition, the reprinted material must include a copyright notice in the following format: "© 2021 UL LLC"