

XHEZ.C-AJ-1218 - Through-penetration Firestop Systems

Design/System/Construction/Assembly Usage Disclaimer

- Authorities Having Jurisdiction should be consulted in all cases as to the particular requirements covering the installation and use of UL Certified products, equipment, system, devices, and materials.
- Authorities Having Jurisdiction should be consulted before construction.
- Fire resistance assemblies and products are developed by the design submitter and have been investigated by UL for compliance with applicable requirements. The published information cannot always address every construction nuance encountered in the field.
- When field issues arise, it is recommended the first contact for assistance be the technical service staff provided by the product manufacturer noted for the design. Users of fire resistance assemblies are advised to consult the general Guide Information for each product category and each group of assemblies. The Guide Information includes specifics concerning alternate materials and alternate methods of construction.
- Only products which bear UL's Mark are considered Certified.

XHEZ - Through-penetration Firestop Systems

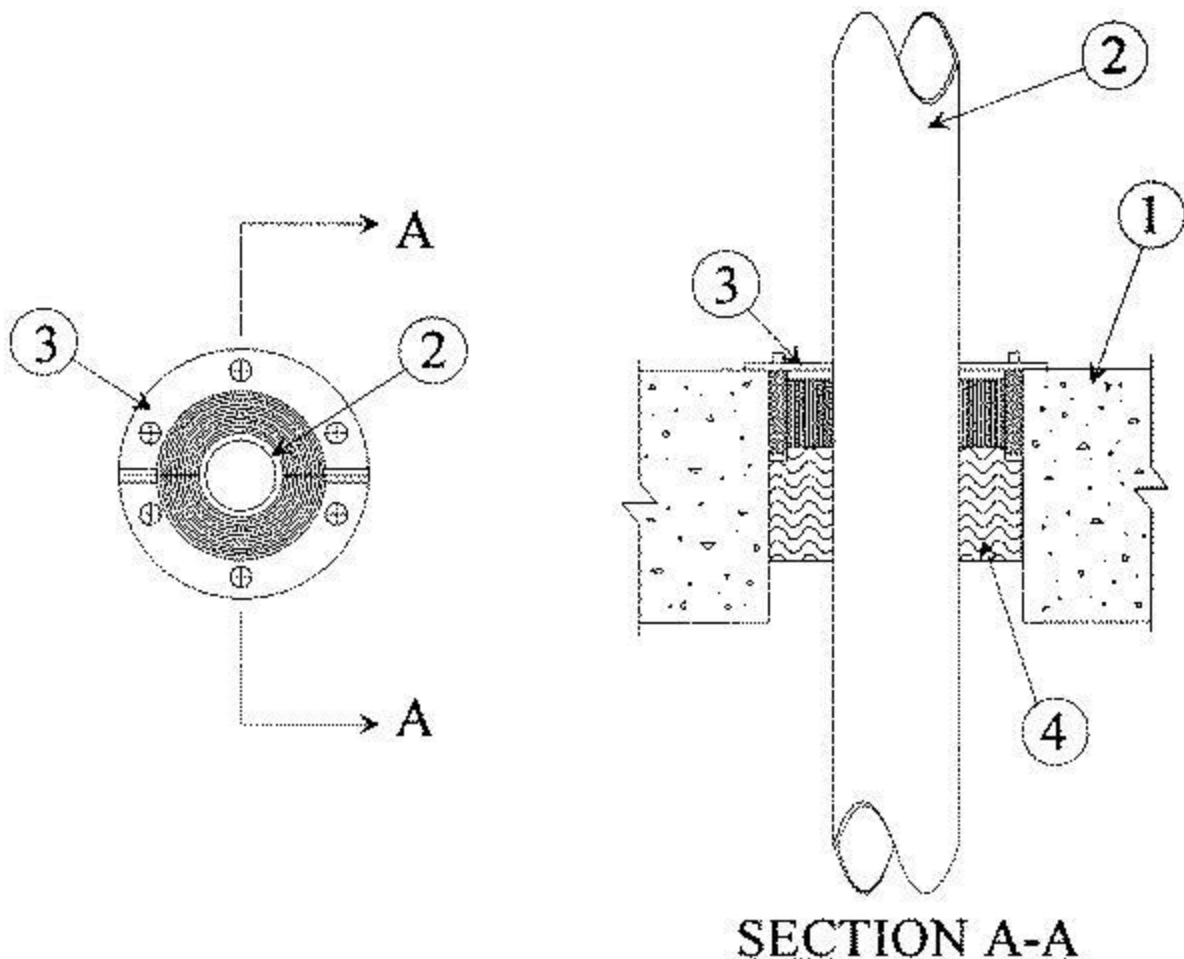
[See General Information for Through-penetration Firestop Systems](#)

System No. C-AJ-1218

December 05, 1996

F Rating — 3 Hr

T Rating — 0 Hr



1. **Floor or Wall Assembly** — Min 4-1/2 in. thick reinforced lightweight or normal weight (100-150 pcf) concrete. Wall may also be constructed of any UL Classified **Concrete Blocks***. Max diam of opening is 4 in. See **Concrete Blocks** (CAZT) category in the Fire Resistance Directory for names of manufacturers.

2. **Through Penetrants** — One metallic pipe or conduit to be centered within the firestop system. Pipe or conduit to be rigidly supported on each side of floor or wall assembly. The following types and sizes of metallic pipes or conduits may be used:

A. **Steel Pipe** — Nom 2 in. diam (or smaller) Schedule 10 (or heavier) steel pipe.

B. **Conduit** — Nom 2 in. diam (or smaller) steel electrical metallic tubing or steel conduit.

3. **Firestop Device*** — Circular firestop device for use in pre-drilled or preformed openings. Device is intended to be friction fitted into openings in accordance with the accompanying installation instructions. Device is intended to be inserted from top of floor assembly or from both sides of wall assembly. Each device consists of circular elastomeric inserts, removable elastomeric sheets formed into a semi-circle and steel compression plates. The elastomeric sheets of the device are removed one by one until a tight fit is present around the through penetrant. After installation of the device into the opening, the bolts of the compression plate are tightened to form an effective seal around the penetrating item.

NMP CORP — ROX RS-50, ROX RS-68, ROX RS-75 or ROX RS-100

ROXTEC INTERNATIONAL AB — ROX RS-50, ROX RS-68, ROX RS-75 or ROX RS-100

4. **Packing Material** — Min 2 in. thickness of min 6.0 pcf ceramic fiber insulation firmly packed into opening.

*** Indicates such products shall bear the UL or cUL Certification Mark for jurisdictions employing the UL or cUL Certification (such as Canada), respectively.**

The appearance of a company's name or product in this database does not in itself assure that products so identified have been manufactured under UL's Follow-Up Service. Only those products bearing the UL Mark should be considered to be Certified and covered under UL's Follow-Up Service. Always look for the Mark on the product.

UL permits the reproduction of the material contained in the Online Certification Directory subject to the following conditions: 1. The Guide Information, Assemblies, Constructions, Designs, Systems, and/or Certifications (files) must be presented in their entirety and in a non-misleading manner, without any manipulation of the data (or drawings). 2. The statement "Reprinted from the Online Certifications Directory with permission from UL" must appear adjacent to the extracted material. In addition, the reprinted material must include a copyright notice in the following format: "© 2021 UL LLC"